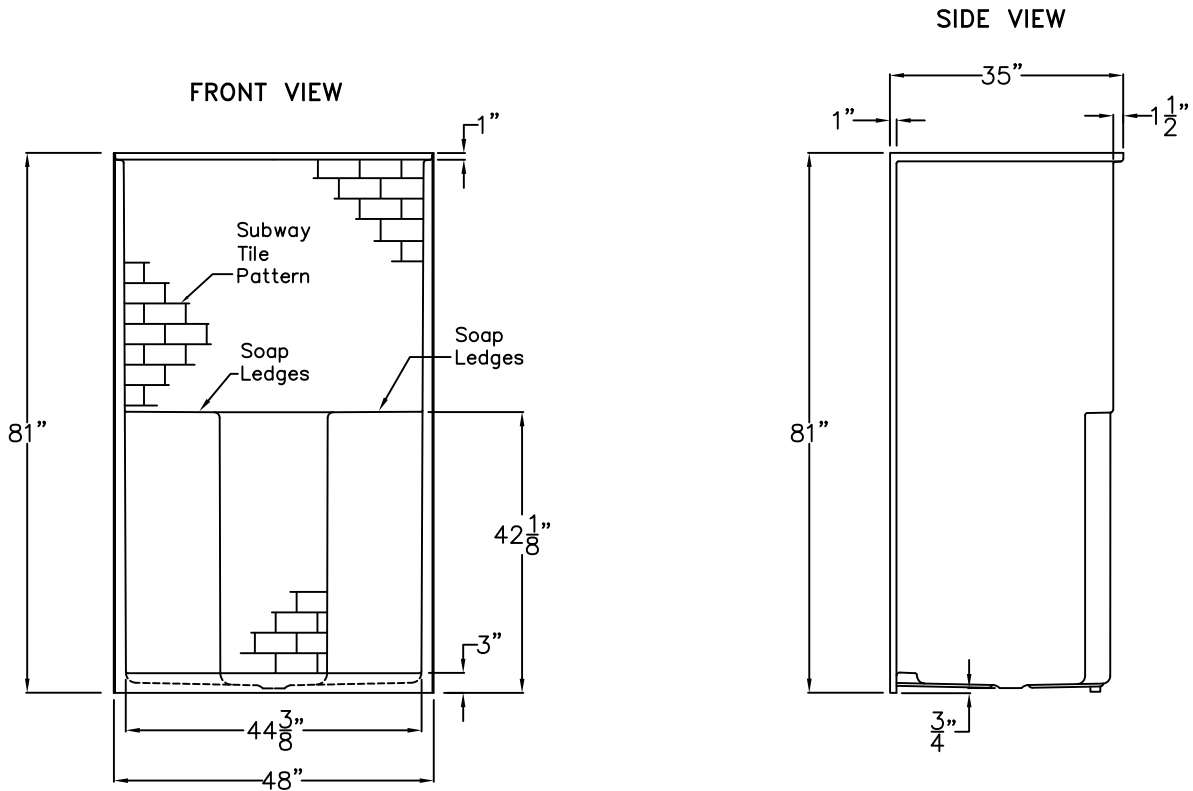


Luxury Acrylic Series

SUBMITTAL DATA



Simulated Tile Shower

This shower enclosure shall be Praxis Model G14834SHSST center drain. Finished surface shall be of sanitary-grade applied acrylic. The unit shall have outside dimensions of 48" x 35" x 81". The unit shall comply with ANSI Z124.1.2.

The enclosure shall be equipped with the following factory installed accessories:

- 1) Molded corner soap ledges,
- 2) Subway tile pattern on walls,
- 3) Center drain location,
- 4) 3.0 threshold.

DUE TO THE NATURE OF THE MATERIALS
DIMENSIONS MAY VARY ± 1/2"

Job Name:	PRAXIS	
Approved By Print Name:	Drawing#: G14834SHSST	
Approved By Signature:	Date:	Date: 3-12-19 Revised: 11-22-19
Rep.:	Wholesaler:	Quote No.:

PRAXIS INDUSTRIES, LLC.
435 INDUSTRIAL RD - SAVANNAH, TN 38372
1 (800) 443-7269 - FAX (731) 925-4290