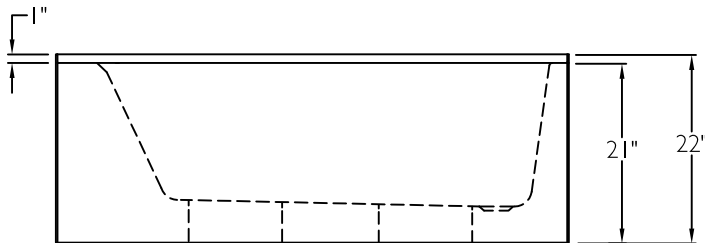


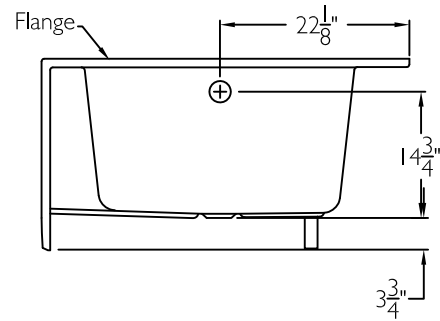
# LUXURY ACRYLIC SERIES

## SUBMITTAL DATA

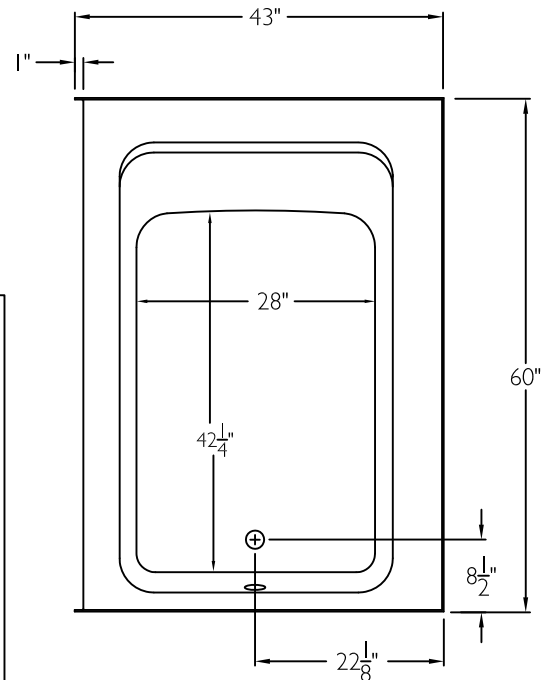
FRONT VIEW



END VIEW



TOP VIEW



### Applied Acrylic Tub Only Handed

This skirted tub enclosure shall be Praxis model G6042 TO SMINM above floor rough in with left or right drain. Finished surface shall be of a sanitary grade applied acrylic.

The unit shall have outside dimensions of 60" x 43" x 22". The bathtub shall meet ANSI Z124.1.2, and CSA B45.5.

The enclosure shall be equipped with the following accessories:

1. Applied Acrylic Finish.
2. Left Or Right Drain Location.
3. Slip Resistant Bottom.
4. 3 3/4" Above Floor Rough-In.
5. Skirted Design.

DUE TO THE NATURE OF THE MATERIALS DIMENSIONS MAY VARY +/- 1/2"

|              |                               |                |                   |
|--------------|-------------------------------|----------------|-------------------|
| Job Name:    | <b>PRAXIS</b>                 |                |                   |
| Model No:    | Drawing #: G 6042 TO SMINM-LR |                |                   |
| Approved By: | Date Approved:                | Date: 2-13-17. | Revised: 3-23-20. |
| Rep:         | Wholesaler:                   | Quote No:      |                   |