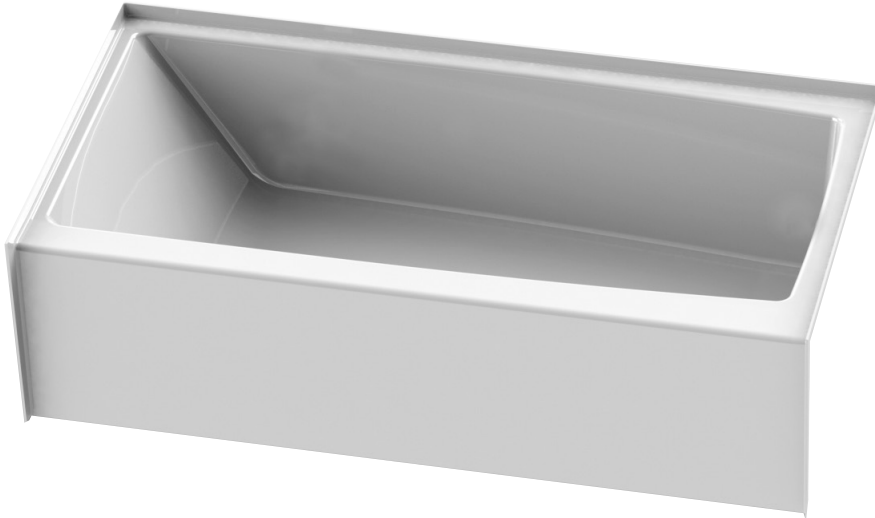


# G 6030 TO MIN

60 x 31 x 19 inches



## FEATURES

- Alcove bath
- Integral tiling flange (3T)
- Above-floor rough
- Integral 19" skirt
- Slip-resistant textured bottom
- Left or right hand drain
- AcrylX™ applied acrylic surface
- Lifetime limited warranty

## OPTIONS

- Designer drain, waste & overflow

## COLOR OPTIONS

### Stock

White  
Biscuit  
Bone

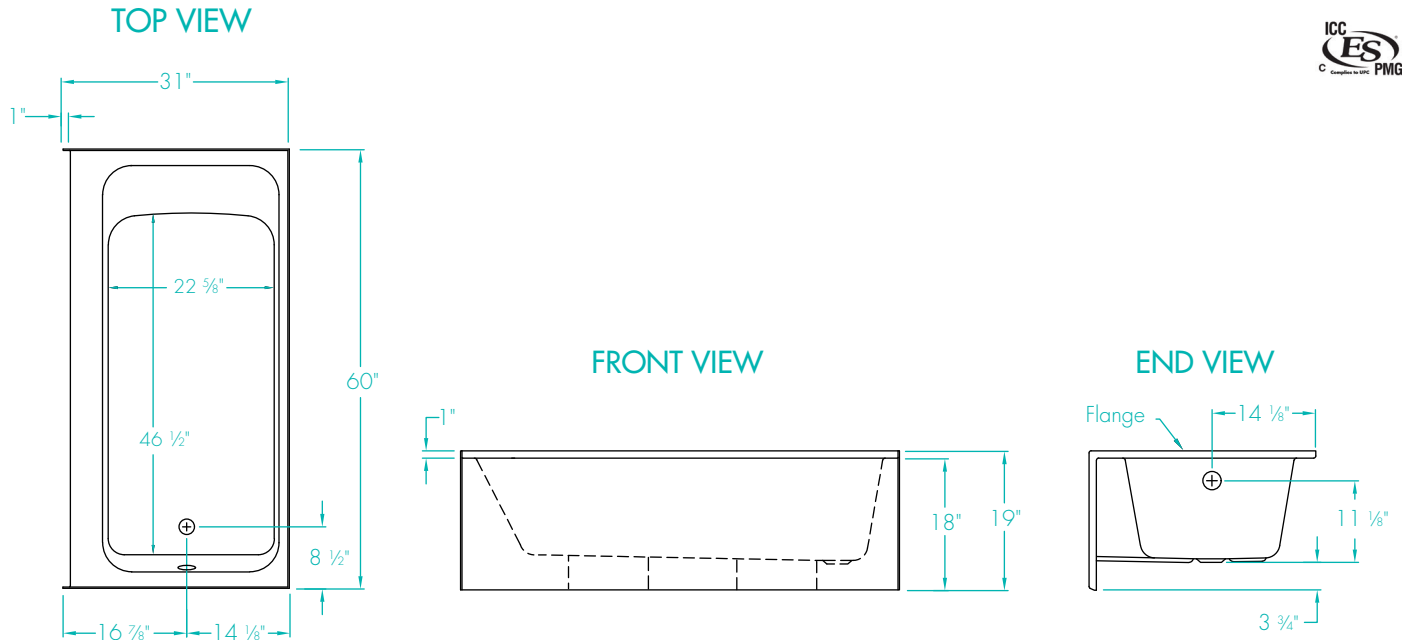


PRAXIS



# G 6030 TO MIN

60 x 31 x 19 inches



**FEATURES** lbs    Dimensional Tolerance  $\pm \frac{3}{16}$ ". Dimensions needed for site preparation should be measured from the unit. Praxis Companies assume no responsibility for preparatory work.

Model #	Material	Jets	Motor	Controls	Drain	Net Wt.	Pkg. Wt.
Soaker #G6030TOMIN	AcrylX™	–	–	–	LH or RH	59	64

## DIMENSIONS

Specifications	inches
Width: Overall / Net	60
Depth: Overall / Net	31 / 30
Height: Overall / Net	19 / 18
Enclosure Opening	–
Skirt Height	18
Drain Rough-In (from Back Wall)	14 1/8
Drain Rough-In (from Side Wall)	8 1/2
Drain: Diameter / Clearance	2 / 3/4

## FRAMING DIMENSIONS inches

Type	D Depth	W Width	H Height	A	B	C
Alcove	31	60	19	Box Out	8 1/2	14 1/8

