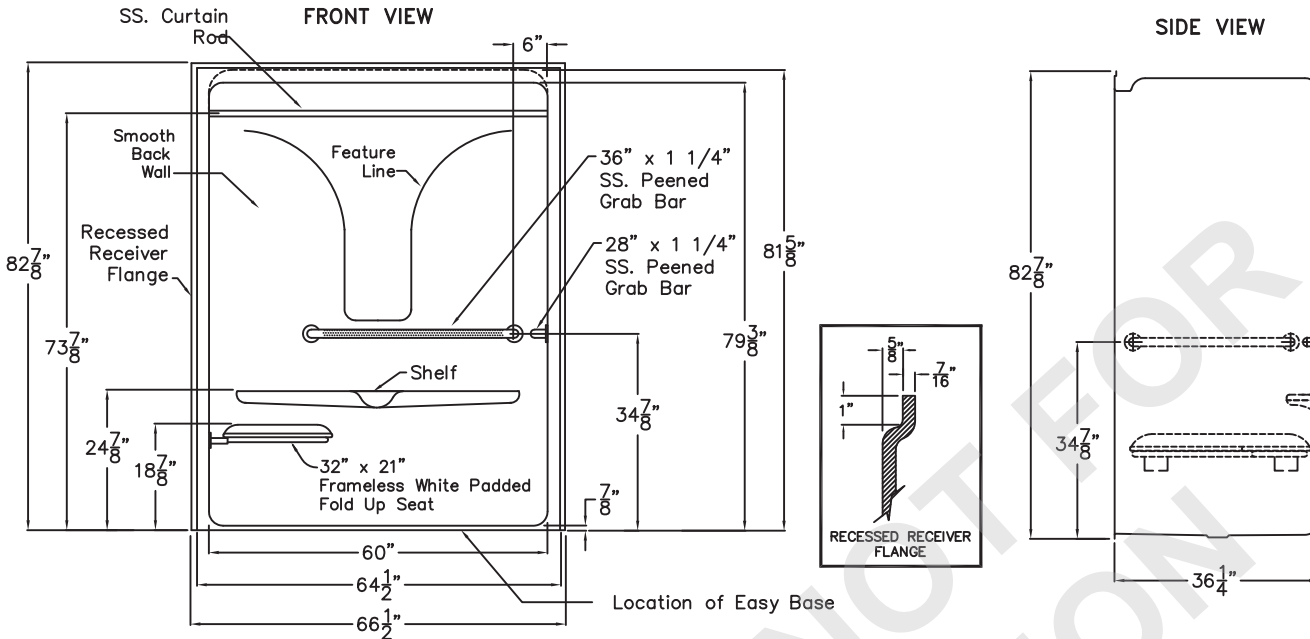


Special Needs Series

SUBMITTAL DATA



Roll-In Shower Stall

This shower enclosure shall be Aquarius Model S 6436 BF molded acrylic. The unit shall be molded from a single sheet of acrylic so as not to have any seams or joints. It shall meet ANSI Z124.1.2, CSA B45.5, ADA, and MAS 521-CMR, shall have the backside fire rating of "A" and a flame spread of less than 25, and shall be designed to meet the requirements of most state and national standards on design for the disabled.

The unit shall have inside dimensions of 60" x 36" x 80 1/2", and the outside dimensions of 66 1/2" x 36 1/4" x 82 3/4".

NOTE: VALVE AND HAND SHOWER REQUIRED TO COMPLY WITH ADA, AND MAS.

The enclosure shall be equipped with the following factory installed accessories:

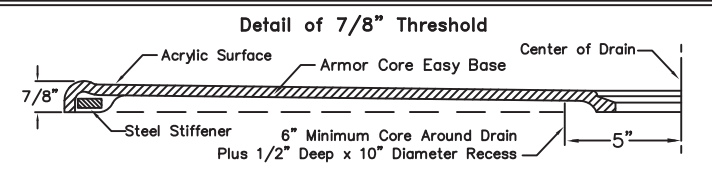
- 1) One 36" x 1 1/4" diameter 18 gauge stainless steel peened grab bar horizontal on the back wall,
- 2) One 28" x 1 1/4" diameter 18 gauge stainless steel peened grab bar on the back wall, both with 1 1/2" statute clearance mounted with stainless steel bolts secured from the rear with 3" x 3" 11 gauge metal backing plates.
- 3) Factory installed 32" x 21" frameless white padded fold up seat,
- 4) Smooth back wall with no diamond pattern,
- 5) Recessed drywall receiver flange on both sides and along the top,
- 6) One inch diameter, 18 gauge stainless steel curtain rod,
- 7) Armor Core Easy Base, 8) 7/8" threshold.

Available options: 9) hand held shower set includes: Valve, hand set with swivel connector, 60" flex hose, 30" side bar, vacuum breaker and shower wall outlet, 10) green anti-bacterial shower curtain with hooks, 11) white shower curtain with hooks,

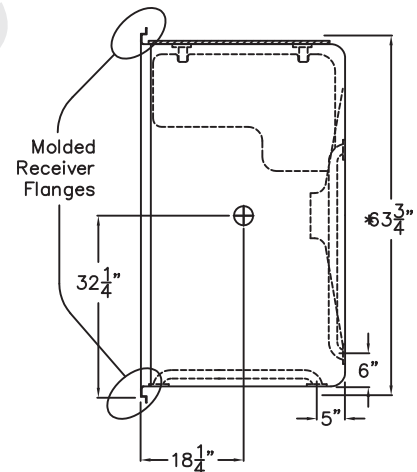
THIS UNIT FEATURES THE OUTSIDE DIMENSIONS OF 60 3/4" OF OVERALL WIDTH. THIS DOES NOT ALLOW FOR FULL ENCLOSURE OF THE BOLTS THAT ARE USED TO SECURE THE BARS AND SEAT IN PLACE. THE BOLT AND NUT COMBINATION SHOULD NOT PROTRUDE ANY MORE THAN 3/4" ON EITHER SIDE OF THE SHOWER WALLS. THIS MAY REQUIRE THE NEED TO NOTCH STUDS TO ALLOW BOLT CLEARANCE FOR INSTALLATION.

FOR A DRY WALL ENCLOSED FIRE WALL INSTALLATION, ADJUSTMENT OF THE WALLBOARD MAY BE NECESSARY TO PROVIDE CLEARANCE OF THE BOLT (S) WHILE MAINTAINING THE INTEGRITY OF THE DRYWALL ENCLOSED FIRE WALL ENCLOSURE.

NOTE: THIS UNIT WILL NOT ACCEPT A DOOR!



TOP VIEW



DUE TO THE NATURE OF THE MATERIALS INVOLVED, UNIT DIMENSIONS MAY VARY ± 1/2 INCH.

ROUGH IN DIMENSIONS: 63 3/4" x 37 1/4" x 82 7/8".
 * NOTE: THIS DIMENSION IS NOT TO SCALE. THIS DIMENSION INCLUDES NUTS/BOLTS/ WOOD AND HARDWARE REQUIRED FOR ASSEMBLY.

AQUARIUS

Approved By Print Name:

Drawing#: S 6436 BF .875 PHBW PHSW FPD
 CR RRF Easy Base Smooth MAS

Approved By Signature:

Date Approved:

Date: 5-28-07

Revised: 7-24-19

Rep.:

Wholesaler:

Quote No.:

PRAXIS INDUSTRIES, INC.
 ROUTE 1, BOX 46D - SAVANNAH, TN 38372
 1 (800) 443-7269 - FAX (901) 925-4290