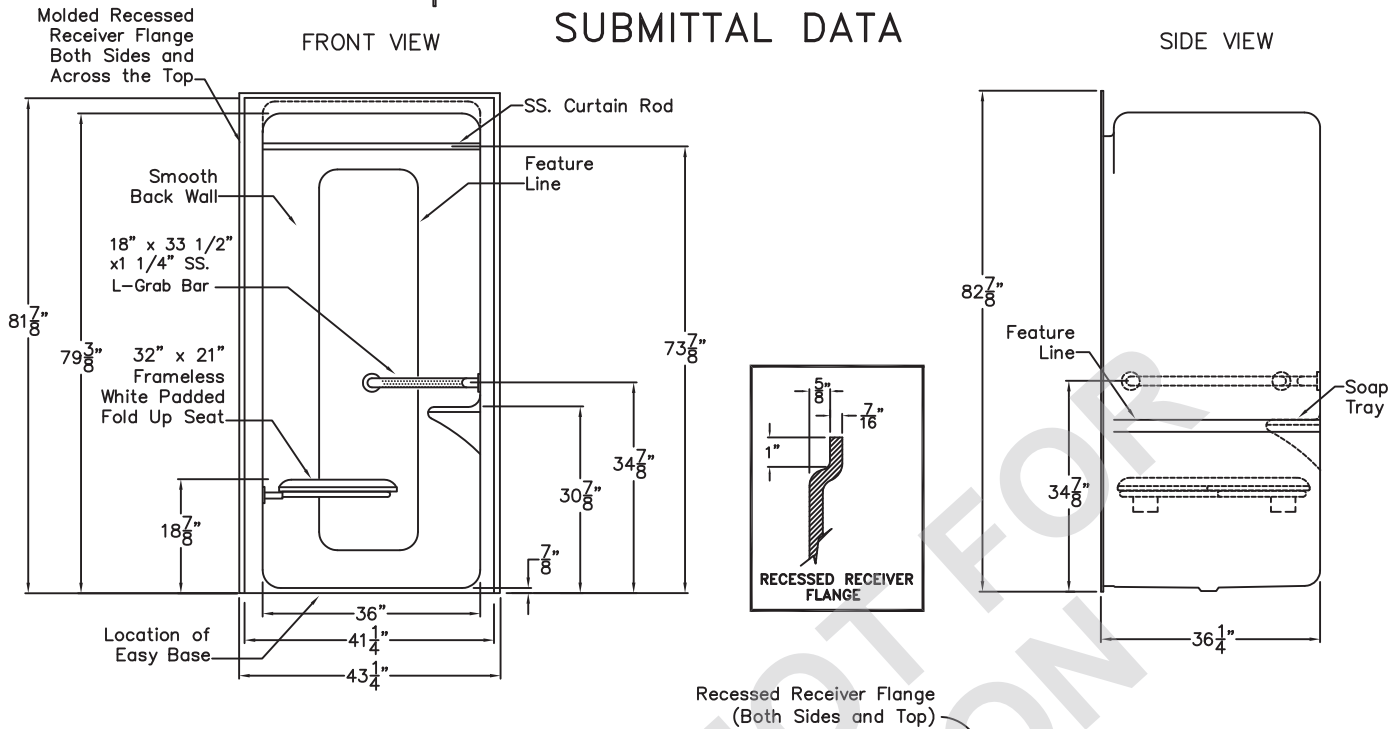


Special Needs Series

SUBMITTAL DATA



Acrylic Transfer Shower

This enclosure shall be model S 4136 BF. Finished surface shall be of sanitary-grade cast acrylic. The unit shall have inside dimensions of 36" x 36" x 75" and outside dimensions of 43 1/4" x 39 1/4" x 82 7/8". The shower shall meet ANSI Z124.1, ADA, and MAS.

The enclosure shall be equipped with the following accessories:

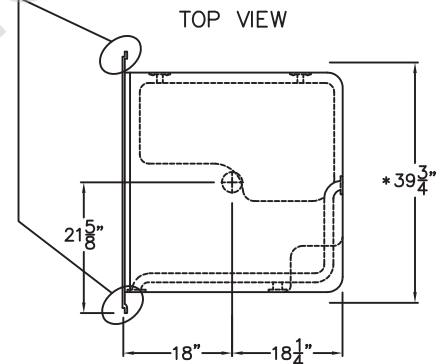
- 1) One 18" x 33 1/2" x 1 1/4" diameter stainless steel peened horizontal L-grab bar, with 1 1/2" statute clearance, mounted with stainless steel bolts, and secured from the rear with 3" x 3" x 11 gauge metal mounting plates,
- 2) 32" x 21" frameless white HDPE fold up seat,
- 3) One inch diameter stainless steel curtain rod,
- 4) Smooth back wall with no diamond pattern,
- 5) Recessed receiver flange along both sides,
- 6) Factory installed Easy Base self sustaining bottom,
- 7) 7/8" threshold.

Available options: 8) Recessed soap dish, 9) Dome light, 12) Valve package, 10) Molded seat, 11) Green anti-bacterial shower curtain with hooks, 12) white weighted shower curtain with hooks.

THIS UNIT FEATURES THE OUTSIDE DIMENSIONS OF 39" OF OVERALL WIDTH. THIS DOES NOT ALLOW FOR FULL ENCLOSURE OF THE BOLTS THAT ARE USED TO SECURE THE BARS AND SEAT IN PLACE. THE BOLT AND NUT COMBINATION SHOULD NOT PROTRUDE ANY MORE THAN 3/4" ON EITHER SIDE OF THE SHOWER WALLS. THIS MAY REQUIRE THE NEED TO NOTCH STUDS TO ALLOW BOLT CLEARANCE FOR INSTALLATION.

FOR A DRY WALL ENCLOSED FIRE WALL INSTALLATION, ADJUSTMENT OF THE WALLBOARD MAY BE NECESSARY TO PROVIDE CLEARANCE OF THE BOLT (S) WHILE MAINTAINING THE INTEGRITY OF THE DRYWALL ENCLOSED FIRE WALL ENCLOSURE.

NOTE: THIS UNIT WILL NOT ACCEPT A DOOR!



ROUGH IN DIMENSIONS FOR UNITS WITHOUT SEAT FEATURED: 38 1/4" x 37 1/4" x 82 7/8"
 ROUGH IN DIMENSIONS FOR UNITS FEATURING A MOLDED SEAT: 38" x 37 1/4" x 82 7/8"
 ROUGH IN DIMENSIONS FOR UNITS FEATURING A FOLD UP SEAT: 39 3/4" x 37 1/4" x 82 7/8"

* NOTE: THIS DIMENSION IS NOT TO SCALE. THIS DIMENSION INCLUDES NUTS/BOLTS, WOOD AND HARDWARE REQUIRED FOR ASSEMBLY. OFFSET THE 39 3/4", 1/2" TOWARDS THE FOLD UP SEAT SIDE TO ALLOW FOR THE BOARD.

DUE TO THE NATURE OF THE MATERIALS INVOLVED, UNIT DIMENSIONS MAY VARY ± 1/2 INCH.

AQUARIUS

Drawing#: S 4136 BF .875 PLB FPD CR
 RRF Easy Base Smooth MAS

Approved by Print Name:

Approved by Signature:

Date:

Rep.:

Wholesaler:

Date: 6-1-07

Revised: 7-3-19

Quote No.:

PRAXIS INDUSTRIES, LLC.
 435 INDUSTRIAL RD - SAVANNAH, TN 38372
 1 (800) 443-7269 - FAX (731) 925-4290