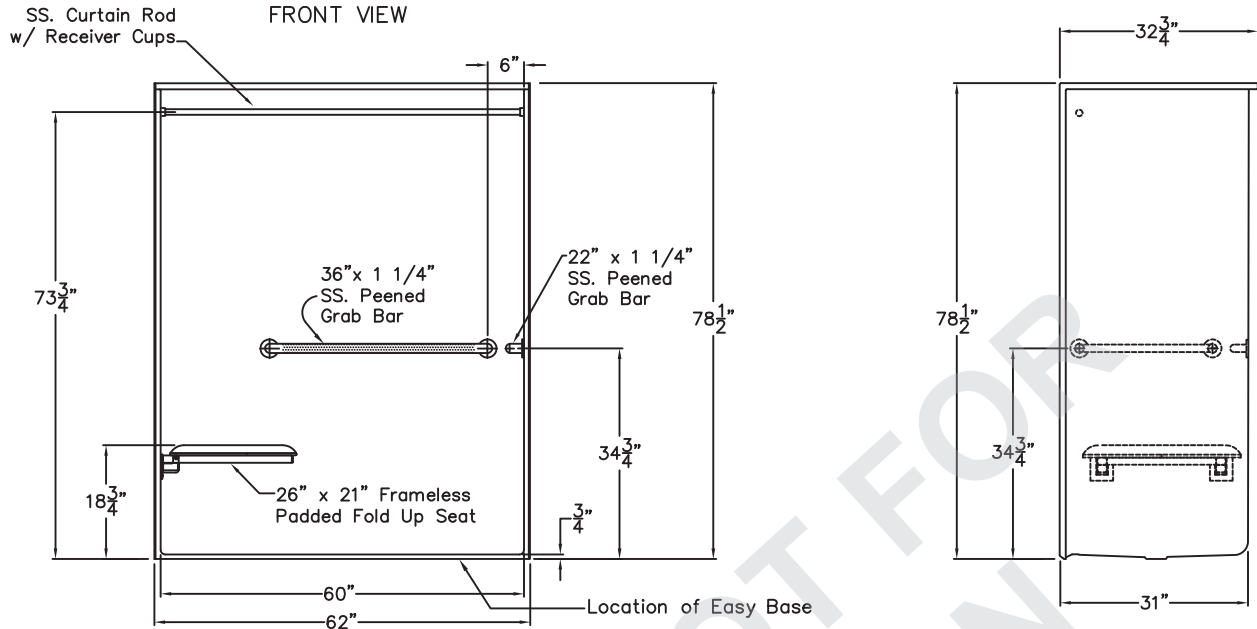


# Special Needs Series

## SUBMITTAL DATA



### Roll-In Shower Stall

The shower enclosure shall be Aquarius model G 6233 BF-F center, right or left. Finished surface shall be of an applied acrylic. The base shall be attached to the sump of the unit in such a manner to form an integral part with an inner and outer coating of polyester resin. The unit shall have outside dimensions of 62" x 32 3/4" x 78 1/2". The unit meets ADA, ANSI Z124.1.2, CSA B45.5, and MAS.

This enclosure shall be equipped with the following installed accessories:

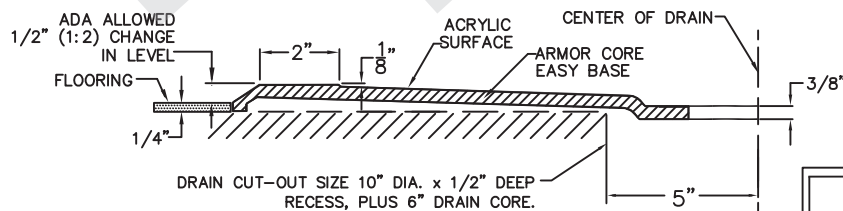
- 1) One 36" x 1 1/4" diameter stainless steel peened horizontal grab bar on the back wall,
- 2) One 22" x 1 1/4" diameter stainless steel peened horizontal grab bar on the side wall, both with 1 1/2" statute clearance, mounted with stainless steel bolts, and secured from the rear with 3" x 3" x 11 gauge metal mounting plates,
- 3) 26" x 21" frameless white padded fold up seat.
- 4) One inch diameter, 18 gauge stainless steel curtain rod with receiver cups,
- 5) Factory installed Armor Core Easy Base, 6) 3/4" change of level threshold.

Available Options: 7) Valve package includes: Hand held shower set, swivel connector, 60" flex hose, vacuum breaker, 30" slide bar, wall water outlet fitting, 8) Green anti-bacterial shower curtain and hooks, 9) White shower curtain and hooks. 10) Nurses call box drilling.

This unit features the outside dimensions of 62" of overall width. This does not allow for full enclosure of the bolts that are used to secure the bars and seat in place.

This may require the need to notch studs to allow for bolt clearance for installation. For a dry wall enclosed fire wall installation, adjustment of the wallboard may be necessary to provide clearance of the bolts while maintaining the integrity of the drywall fire wall enclosure.

NOTE: THIS UNIT WILL NOT ACCEPT A DOOR.



DUE TO THE NATURE OF THE MATERIALS DIMENSIONS MAY VARY ± 1/2"

### AQUARIUS

Approved By Print Name:

Drawing#: G6233 BF-F COL .75 PHBW PHSW  
FPD CR Easy Base MAS

Approved By Signature:

Date:

Date: 10-8-08

Revised: 11-4-19

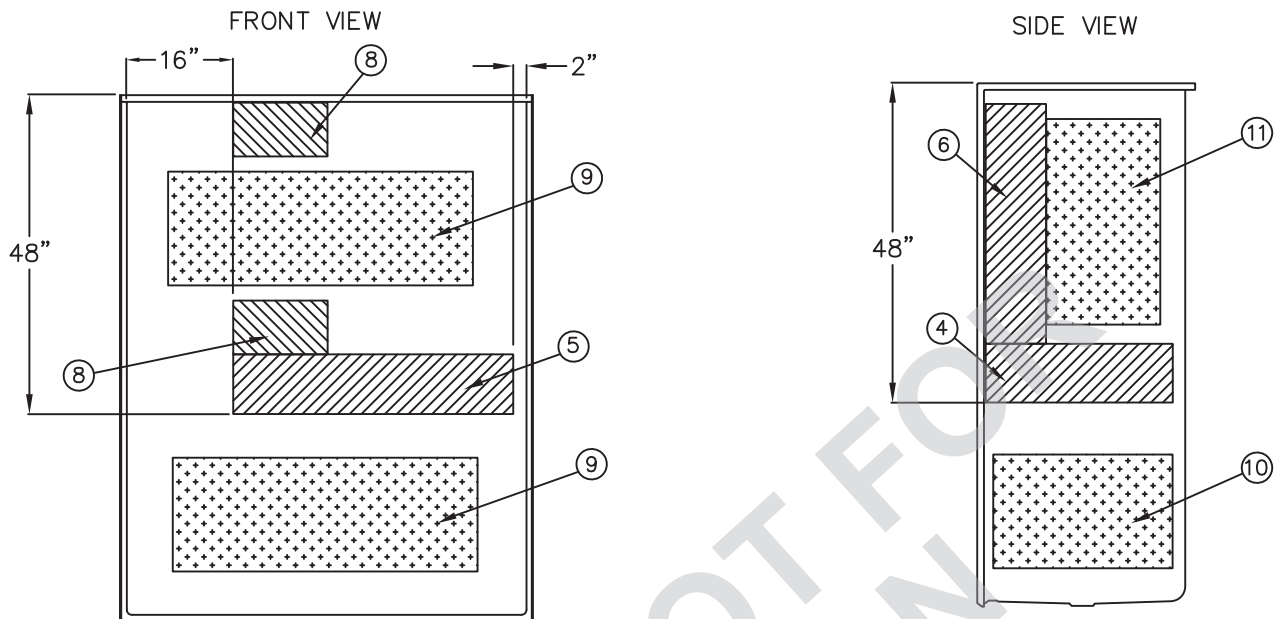
Rep.:

Wholesaler:

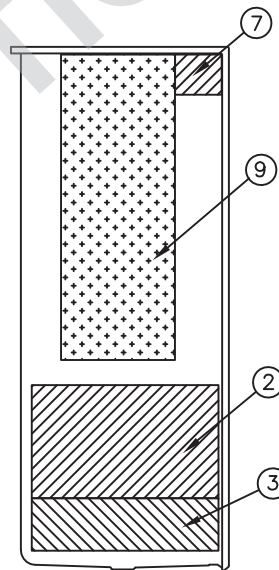
Quote No.:

PRAXIS INDUSTRIES, LLC.  
435 INDUSTRIAL RD - SAVANNAH, TN 38372  
1 (800) 443-7269 - FAX (731) 925-4290

# Backing Placement SUBMITTAL DATA



SEAT SIDE VIEW



ITEM NO.	PART NUMBER	QTY.
1	6233 BF-F Left	1
2	28" x 17" x .125 (4848CORE-125)	1
3	28" x 25" x .250 (4848CORE-25)	1
4	28" x 9" x .250 (4848CORE-25)	1
5	42" x 9" x .250 (4848CORE-25)	1
6	7" x 36" x .250 (4848CORE-25)	1
7	6" x 7" x .250 (4848CORE-25)	1
8	8" x 14" x .250 (4848CORE-25)	2
9	17" x 46" (5174DCORR)	3
10	17" x 27" (Cut From 5174DCORR)	1
11	17" x 31" (Cut From 51746DCORR)	1

APPLICATION:	THICKNESS:
APPLIED ACRYLIC	18.5 MIL
1ST LAMINATION	60 MIL
CORRUGATED	25 MIL
ARMORCORE	75 MIL
2ND LAMINATION	50 MIL

ALL REINFORCED AREAS TO BE ENCAPSULATED BY SECOND LAMINATION.  
OVERALL LAMINATION THICKNESS TOLERANCE: -0/+80 MILS.

DUE TO THE NATURE OF THE MATERIALS DIMENSIONS MAY VARY ± 1/2"

Job Name:	AQUARIUS		
Approved by Print Name:	Drawing#: G6233 BF-F COL .75 PHBW PHSW FPD CR Easy Base MAS-BP		
Approved by Signature:	Date:	Date: 12-16-99	Revised: 11-4-19
Rep.:	Wholesaler:	Quote No.:	

PRAXIS INDUSTRIES, LLC.  
435 INDUSTRIAL RD - SAVANNAH, TN 38372  
1 (800) 443-7269 - FAX (731) 925-4290