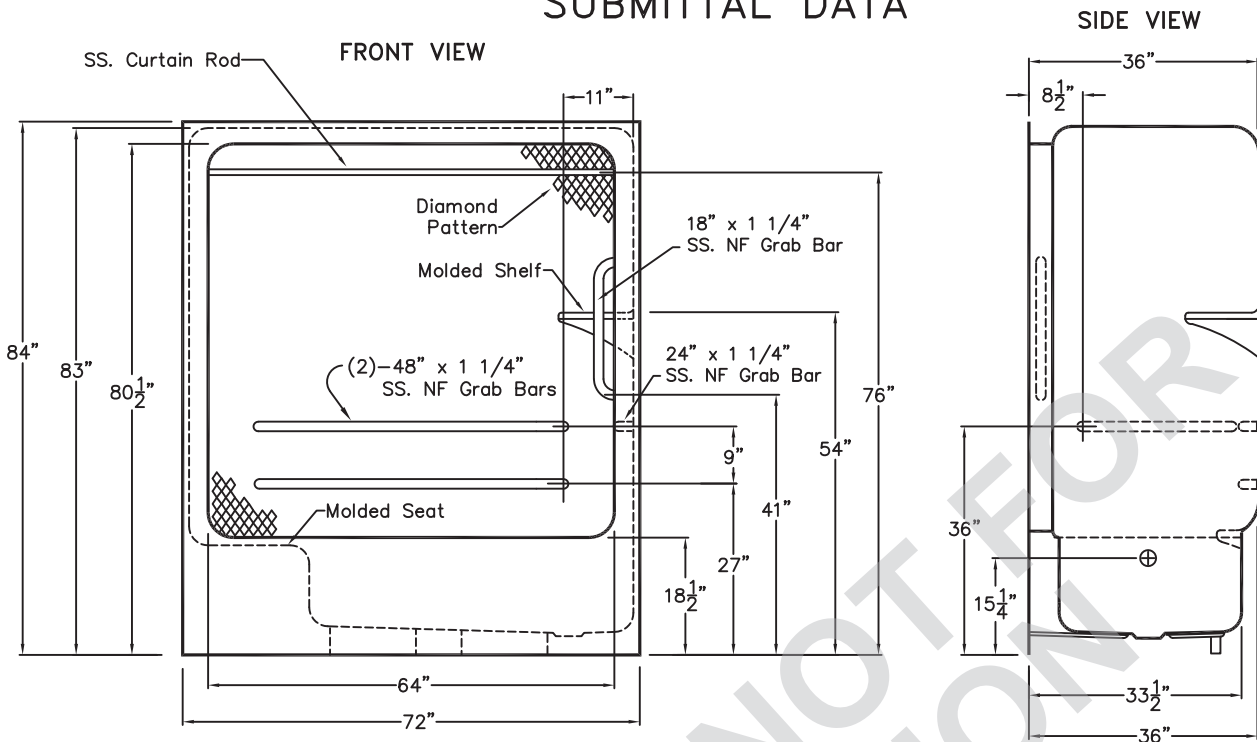


Special Needs Series

SUBMITTAL DATA



72" ACRYLIC ADA TUB/SHOWER

The cast acrylic tub shower unit shall be Aquarius model S 7236 TS left or right. Acrylic tub shower measures 72" x 36" x 84", shall be formed from acrylic sheet with polyester resin backing. One piece unit has a fire rating of "A" and a flame spread of less than 25. Unit meets ANSI Z124.1.2, CSA B45.5, ADA, TAS and ICC/ANSI A117.1.

Unit is configured with: 1) Two 48" x 1 1/4" diameter no flange grab bars, 2) One 24" x 1 1/4" diameter stainless steel grab bar horizontal on the valve wall, 3) One 18" x 1 1/4" diameter stainless steel grab bar vertical near the entry on the drain end, all with 1 1/2" statute clearance, mounted with stainless steel bolts, and secured from the rear with 3" x 3" x 11 gauge metal mounting plates, 4) Molded seat, 5) One inch diameter, 18 gauge stainless steel curtain rod, 6) Diamond pattern on the back wall.

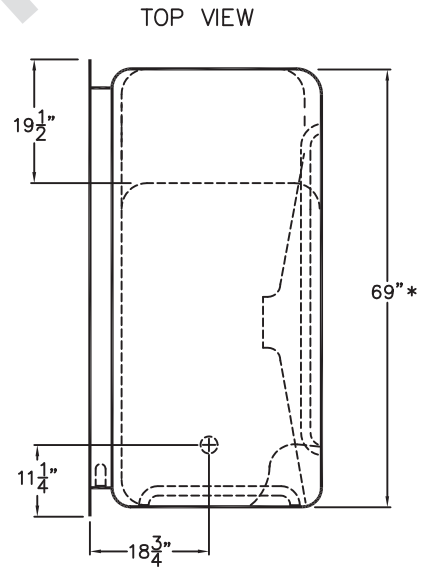
Available accessories: 7) White shower curtain with hooks, 8) Green anti-bacterial shower curtain with hooks, 9) Nurses call box drilling, 10) Valve package includes: valve, hand held shower set with swivel connector, 60" flex hose, 30" slide bar, vacuum breaker, wall water outlet fitting.

THIS UNIT FEATURES THE OUTSIDE DIMENSIONS OF 72" OF OVERALL WIDTH. THIS DOES NOT ALLOW FOR FULL ENCLOSURE OF THE BOLTS THAT ARE USED TO SECURE THE BARS AND SEAT IN PLACE THE BOLT AND NUT COMBINATION SHOULD NOT PROTRUDE ANY MORE THAN 3/4" ON EITHER SIDE OF THE WALLS. THIS MAY REQUIRE THE NEED TO NOTCH STUDS TO ALLOW BOLT CLEARANCE FOR INSTALLATION.

FOR A DRY WALL ENCLOSED FIRE WALL INSTALLATION, ADJUSTMENT OF THE WALLBOARD MAY BE NECESSARY TO PROVIDE CLEARANCE OF THE BOLT (S) WHILE MAINTAINING THE INTEGRITY OF THE DRYWALL ENCLOSED FIRE WALL ENCLOSURE.

ROUGH-IN DIMENSIONS ARE: 72" at the front, 69" along the sides x 36" deep x 84" tall.

* NOTE: THIS DIMENSION IS NOT TO SCALE. THIS DIMENSION INCLUDES NUTS/BOLTS, WOOD AND HARDWARE REQUIRED FOR ASSEMBLY.



DUE TO THE NATURE OF THE MATERIALS INVOLVED, UNIT DIMENSIONS MAY VARY ± 1/2 INCH.

Job Name:	AQUARIUS
Model No.:	Drawing#: S 7236 TS Package 1 TAS
Approved by:	Date Approved:
Rep.:	Wholesaler:
	Quote No.:

PRAXIS INDUSTRIES, INC.
 ROUTE 1, BOX 46D - SAVANNAH, TN 38372
 1 (800) 443-7269 - FAX (901) 925-4290