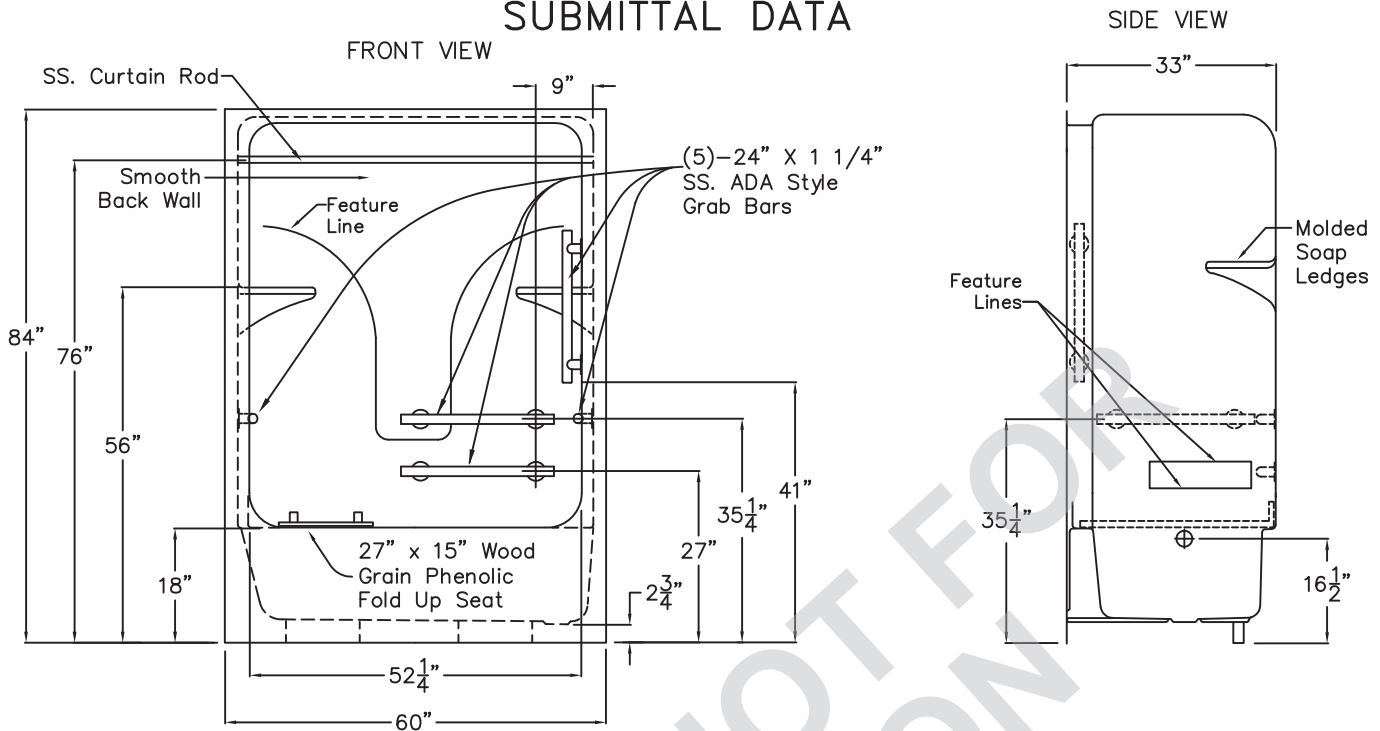


# SPECIAL NEEDS SERIES SUBMITTAL DATA



## 60" ACRYLIC TAS TUB/SHOWER

This unit is configured with: 1) Two 24" x 1 1/4" diameter ADA style horizontal stainless steel grab bars on the back wall, 2) Two 24" x 1 1/4" diameter ADA style horizontal stainless steel grab bars, one on each side wall, 3) One 24" x 1 1/4" diameter ADA style vertical grab bar on the valve side wall, all with 1 1/2" statute clearance, mounted with stainless steel bolts, and secured from the rear with 3" x 3" x 11 gauge metal mounting plates, 4) 27" x 15" wood grain phenolic fold up seat, 5) One inch diameter, 18 gauge stainless steel curtain rod, 6) Smooth walls with no diamond pattern, 7) Feature lines on back and side walls,

Available accessories: 1) White shower curtain with hooks, 2) Green anti-bacterial shower curtain with hooks, 3) Nurses call box drilling, 4) Valve package includes: valve, hand held shower set with swivel connector, 60" flex hose, 30" slide bar, vacuum breaker, wall water outlet fitting.

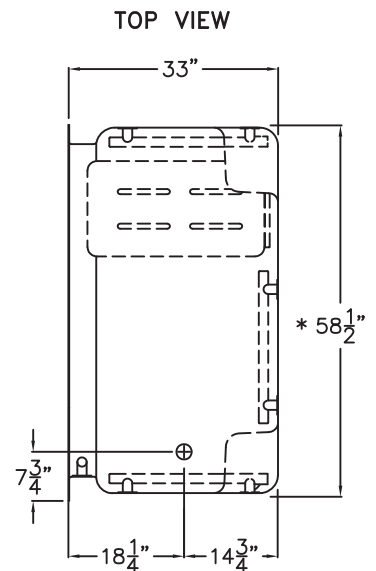
Unit complies with ANSI Z124.1.2, CSA-B45.5, ADA, ICC/ANSI A117.1 and TAS.

THIS UNIT FEATURES THE OUTSIDE DIMENSIONS OF 58 1/2" OF OVERALL WIDTH. THIS DOES NOT ALLOW FOR FULL ENCLOSURE OF THE BOLTS THAT ARE USED TO SECURE THE BARS AND SEAT IN PLACE THE BOLT AND NUT COMBINATION SHOULD NOT PROTRUDE ANY MORE THAN 3/4" ON EITHER SIDE OF THE WALLS. THIS MAY REQUIRE THE NEED TO NOTCH STUDS TO ALLOW BOLT CLEARANCE FOR INSTALLATION.

FOR A DRY WALL ENCLOSED FIRE WALL INSTALLATION, ADJUSTMENT OF THE WALLBOARD MAY BE NECESSARY TO PROVIDE CLEARANCE OF THE BOLT (S) WHILE MAINTAINING THE INTEGRITY OF THE DRYWALL ENCLOSED FIRE WALL ENCLOSURE.

ROUGH-IN DIMENSIONS ARE: 58 1/2" x 33" x 84".

\* NOTE: THIS DIMENSION IS NOT TO SCALE. THIS DIMENSION INCLUDES NUTS/BOLTS, WOOD AND HARDWARE REQUIRED FOR ASSEMBLY.



<b>Job Name:</b>	<b>AQUARIUS</b>
<b>Approved by Print Name:</b>	<b>Drawing#:</b> S 6032 TS Package 1 TAS
<b>Approved by Signature:</b>	<b>Date:</b> 10-13-05 <span style="float: right;"><b>Revised:</b> 10-8-19</span>
<b>Rep.:</b>	<b>Wholesaler:</b> <span style="float: right;"><b>Quote No.:</b></span>

PRAXIS INDUSTRIES, LLC.  
435 INDUSTRIAL RD - SAVANNAH, TN 38372  
1 (800) 443-7269 - FAX (731) 925-4290