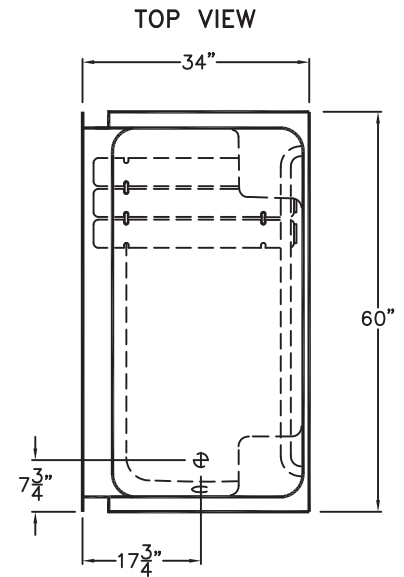
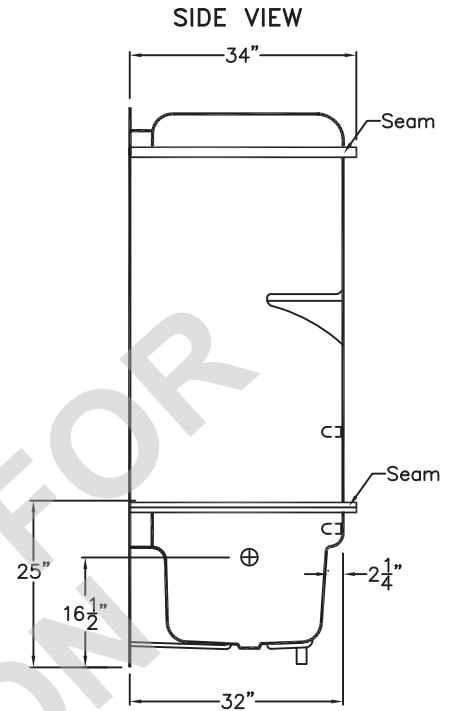
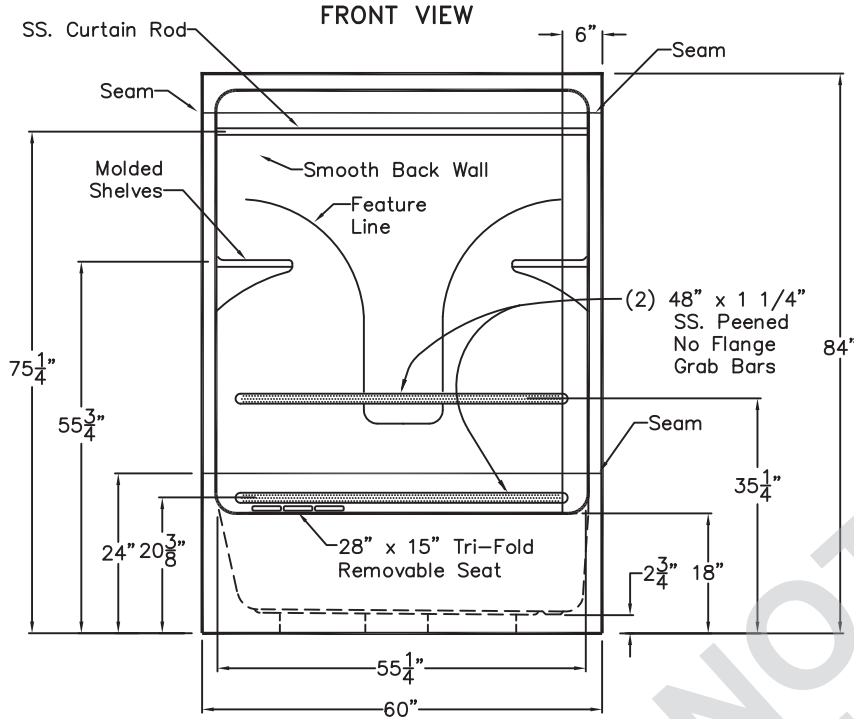


# Luxury Acrylic Series

## SUBMITTAL DATA



DUE TO THE NATURE OF THE MATERIALS  
DIMENSIONS MAY VARY ± 1/2"

### MAS ACRYLIC TUB SHOWER

This tub/shower shall be Aquarius Model S 6000 TS 3 piece cast acrylic. The unit shall have a mechanical seam where the wall section joins the bathing well, and near the top where the dome joins the walls. It shall have the back side fire rating of "A" and a flame spread of less than 25, shall meet MAS, ANSI Z124.1.2, and CSA-B45.5. The unit outside dimensions of 60" x 34" x 84".

The enclosure shall be equipped with the following factory installed accessories:

- 1) Two 48" x 1 1/4" diameter stainless steel peened no flange grab bars horizontal, on the back wall, with 1 1/2" statute clearance, mounted from the rear with stainless steel bolts and 3" x 3" x 11 gauge metal mounting plates,
- 2) 28" x 15" removable seat,
- 3) One inch diameter, 18 gauge stainless steel curtain rod,
- 4) Molded soap ledges,
- 5) Smooth back wall, no diamond pattern.

HANDED BY THE VALVE. RIGHT HAND SHOWN, LEFT HAND AVAILABLE.

Available options:

- 6) White, weighted shower curtain with hooks,
- 7) Green anti-bacterial shower curtain with hooks,
- 8) Dome light,
- 9) Valve Package includes: valve, hand held shower set with swivel connector, 60" flex hose, 30" slide bar, vacuum breaker, wall water outlet fitting.

Job Name:	AQUARIUS		
Approved by Print Name:	Drawing#: S 6000 TS 3P Package One MAS		
Approved by Signature:	Date Approved:	Date: 11-14-00	Revised: 10-8-19
Rep.:	Wholesaler:	Quote No.:	

PRAXIS INDUSTRIES, LLC.  
435 INDUSTRIAL RD - SAVANNAH, TN 38372  
1 (800) 443-7269 - FAX (731) 925-4290