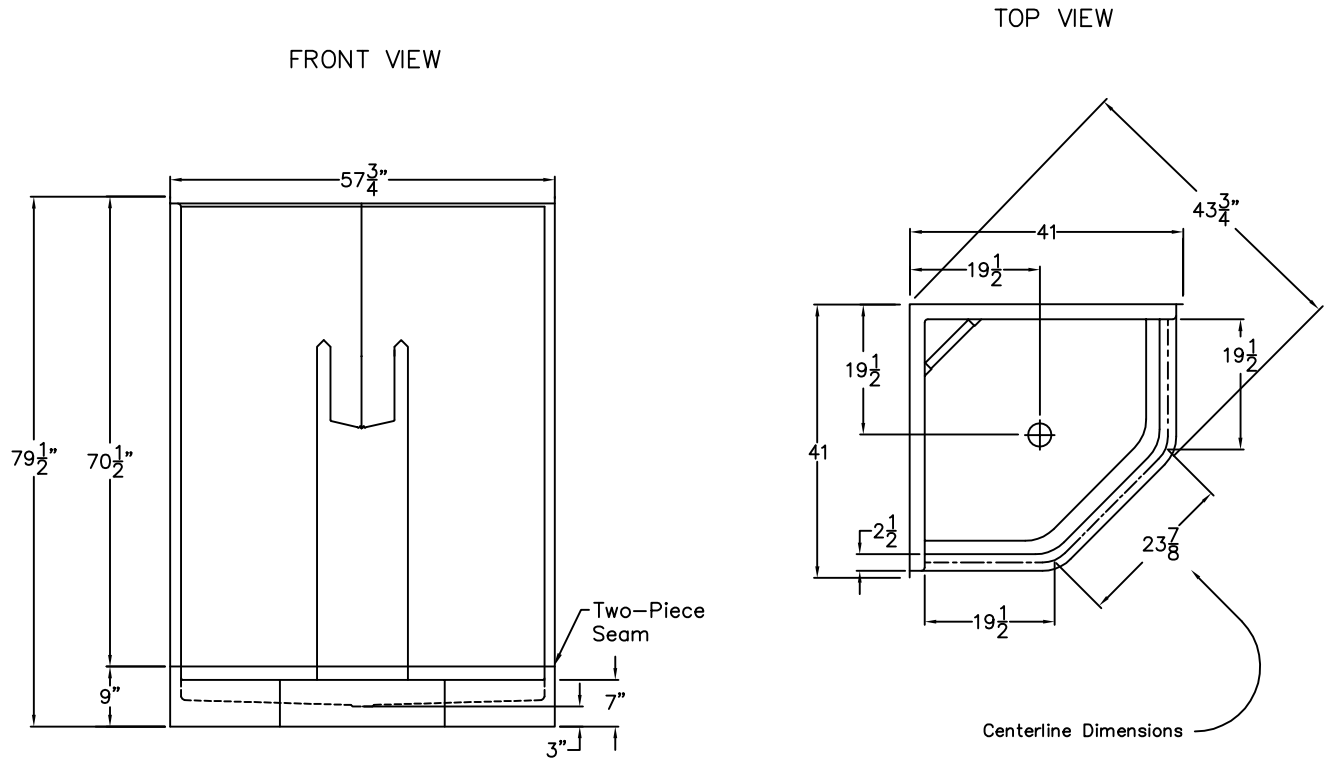


# Luxury Acrylic Series

## SUBMITTAL DATA



### Sectional Neo Angle Shower

This shower enclosure shall be Aquarius Model G 4080 NA 2P center drain. Finished surface shall be of sanitary-grade applied acrylic. The unit shall have outside dimensions of 41" x 41" x 79 1/2". The unit shall meet IAPMO Z124-2011, and CSA B45.5-11.

The enclosure shall be equipped with the following factory installed accessories:

- 1) Molded soap dish on back wall,
- 2) Two piece sectional design.

DUE TO THE NATURE OF THE MATERIALS  
DIMENSIONS MAY VARY  $\pm 1/2$ "

Job Name:	<b>AQUARIUS</b>	
Approved by Print Name:	Drawing#: G 4080 NA 2P 7.0	
Approved by Signature:	Date:	Date: 1-17-99      Revised: 10-7-16
Rep.:	Wholesaler:	Quote No.:

PRAXIS INDUSTRIES, LLC.  
435 INDUSTRIAL RD - SAVANNAH, TN 38372  
1 (800) 443-7269 - FAX (731) 925-4290