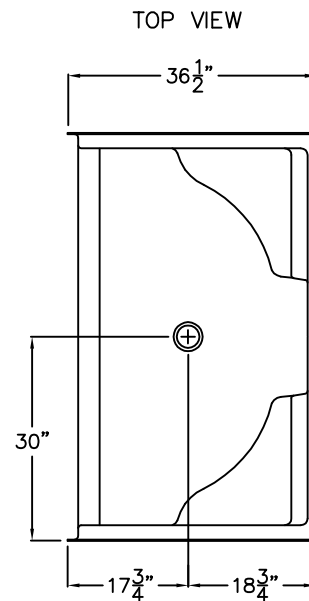
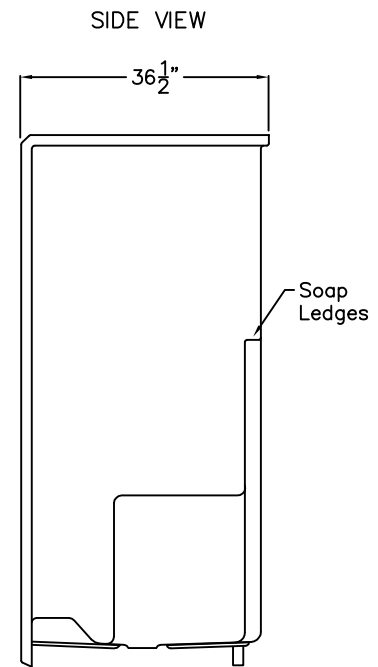
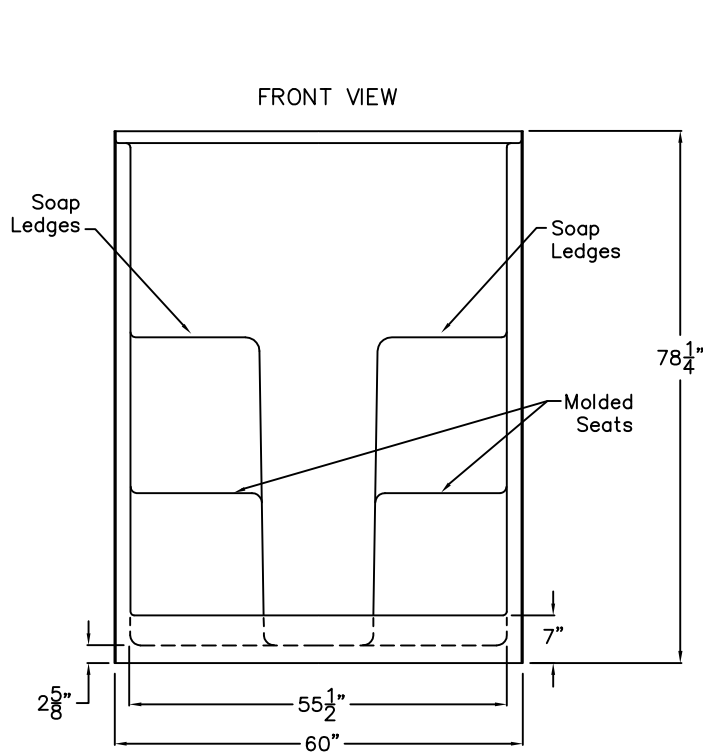


Luxury Acrylic Series

SUBMITTAL DATA



Smooth Wall Shower

This shower enclosure shall be Aquarius Model G 6077 SH 2S center drain location. Finished surface shall be of sanitary-grade applied acrylic. The unit shall have outside dimensions of 60" x 36 1/2" x 78 1/4". The unit shall meet IAPMO Z124-2011, and CSA B45.5-11.

The enclosure shall be equipped with the following factory installed accessories:

- 1) Molded corner soap ledges,
- 2) Two molded seats,
- 3) 7.0" threshold.

DUE TO THE NATURE OF THE MATERIALS
DIMENSIONS MAY VARY ± 1/2"

Job Name:

AQUARIUS

Approved by Print Name:

Drawing#: G 6077 SH 2S

Approved by Signature:

Date:

Date: 6-7-07

Revised: 10-12-16

Rep.:

Wholesaler:

Quote No.:

PRAXIS INDUSTRIES, LLC.
435 INDUSTRIAL ROAD, SAVANNAH, TN 38372
1 (800) 326-5489 - FAX (888) 246-0466