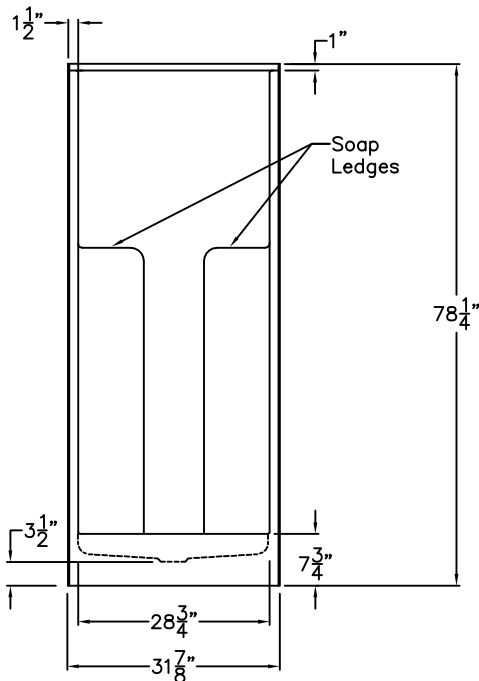


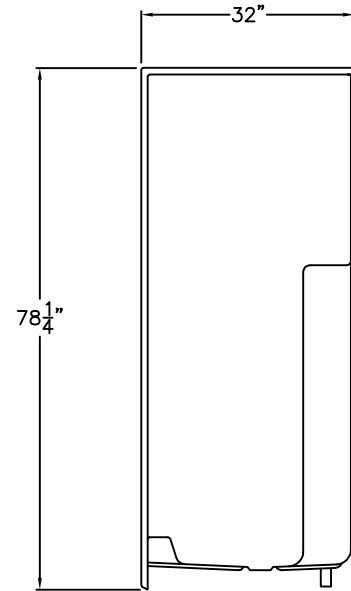
# Luxury Acrylic Series

## SUBMITTAL DATA

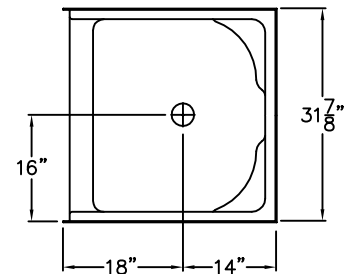
FRONT VIEW



SIDE VIEW



TOP VIEW



### Accessible Shower

This shower enclosure shall be Aquarius Model G 3280 SH center drain. Finished surface shall be of sanitary-grade applied acrylic. The unit shall have outside dimensions of 31 7/8" x 32" x 78 1/4". The unit shall meet IAPMO Z124-2011, and CSA B45.5-11.

The enclosure shall be equipped with the following factory installed accessories:

- 1) Molded corner soap dishes,
- 2) 7 3/4" threshold.

NOTE: DUE TO THE COMPACT SIZE OF THIS UNIT, IT DOES NOT MEET UPC AND IPC REQUIREMENTS.

DUE TO THE NATURE OF THE MATERIALS  
DIMENSIONS MAY VARY ± 1/2"

Job Name:		<b>AQUARIUS</b>	
Approved By Print Name:		Drawing#: G 3280 SH 7.75	
Approved By Signature:	Date:	Date: 7-18-96	Revised: 10-6-16
Rep.:	Wholesaler:	Quote No.:	

PRAXIS INDUSTRIES, INC.  
ROUTE 1, BOX 46D - SAVANNAH, TN 38372  
1 (800) 443-7269 - FAX (901) 925-4290