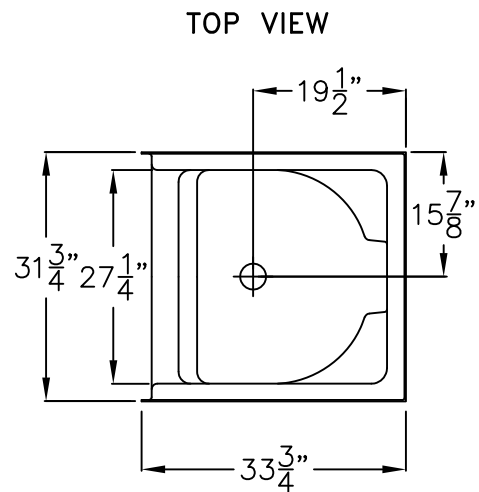
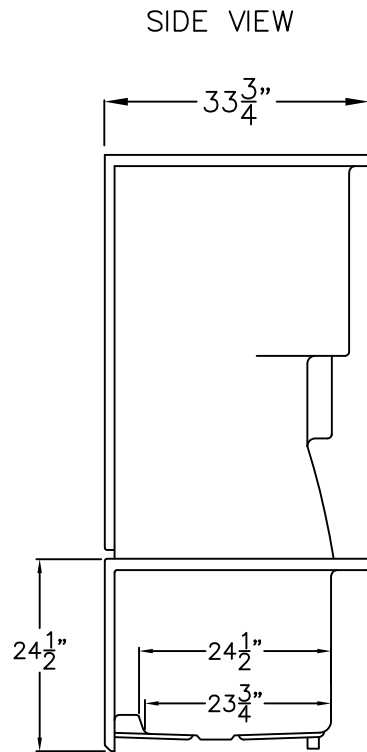
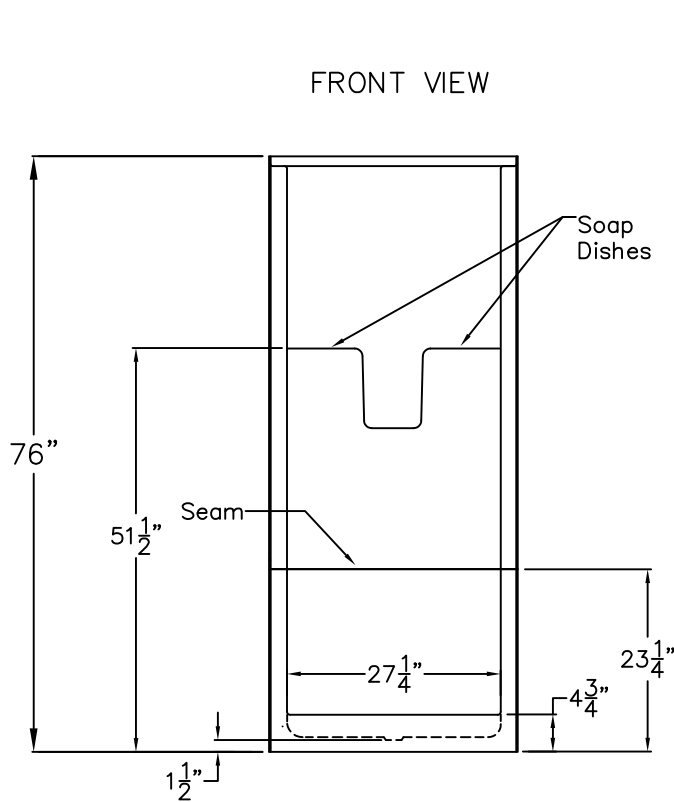


Luxury Acrylic Series

SUBMITTAL DATA



Sectional Shower

This shower enclosure shall be Aquarius Model G 3275 SH 2P right, or left. Finished surface shall be of sanitary-grade applied acrylic. The unit shall have outside dimensions of 60" x 33" x 77". The unit shall meet IAPMO Z124-2011, and CSA B45.5-11.

The enclosure shall be equipped with the following factory installed accessories:

- 1) Two molded soap dishes,
- 2) Two piece sectional design.

NOTE: DUE TO THE COMPACT SIZE THIS UNIT DOES NOT MEET UPC AND IPC CODES.

DUE TO THE NATURE OF THE MATERIALS DIMENSIONS MAY VARY ± 1/2"

Job Name:

AQUARIUS

Approved By Print Name:

Drawing#: G 3275 SH 2P

Approved By Signature:

Date:

Date: 2-9-07

Revised: 10-6-16

Rep.:

Wholesaler:

Quote No.:

PRAXIS INDUSTRIES, LLC.
 435 INDUSTRIAL ROAD, SAVANNAH, TN 38372
 1 (800) 326-5489 - FAX (888) 246-0466