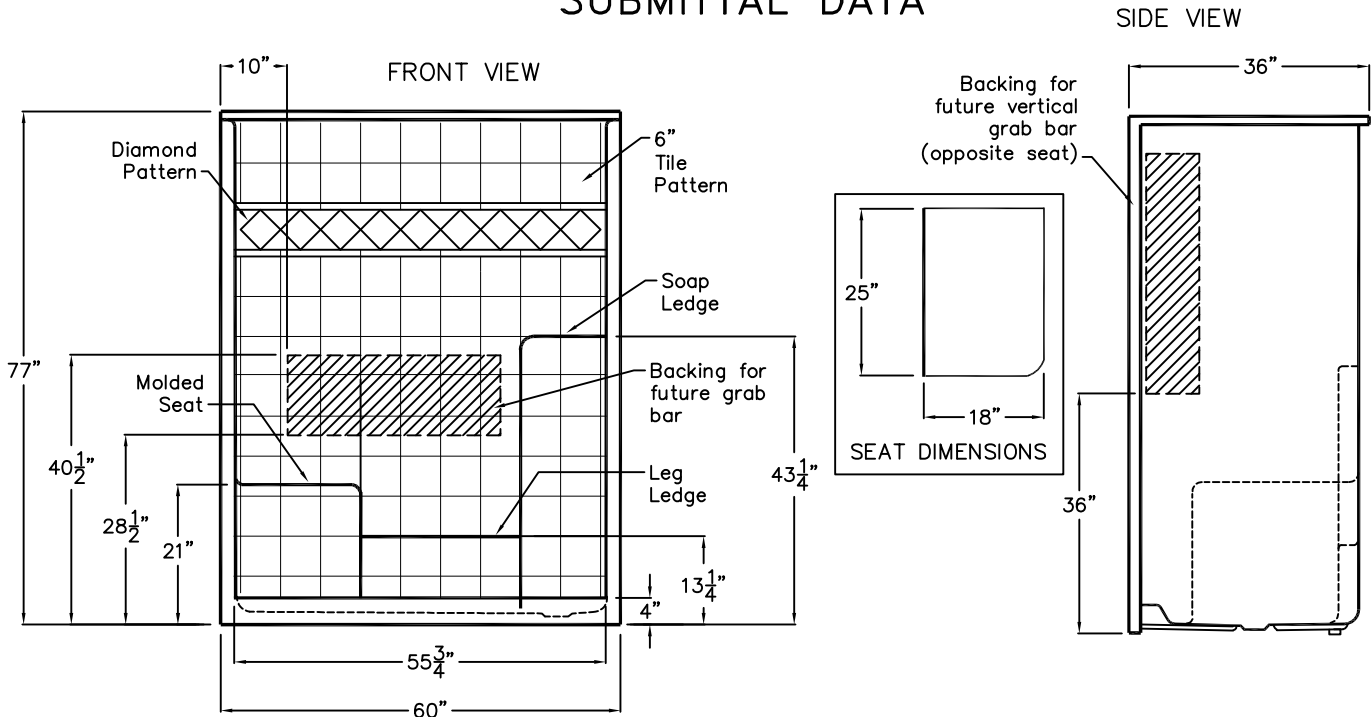


Luxury Acrylic Series

SUBMITTAL DATA



Accessible Shower

This shower enclosure shall be Choose Home Model CHM 6032 SH 1S right, or left. Finished surface shall be of sanitary-grade applied acrylic. The unit shall have outside dimensions of 60" x 36" x 77". The unit shall meet IAPMO Z124-2011, and CSA B45.5-11.

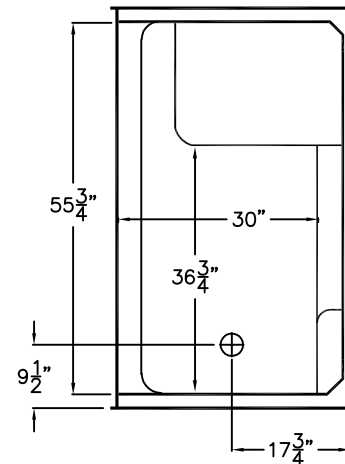
The enclosure shall be equipped with the following factory installed accessories:

- 1) Reinforced backing on the back wall for future horizontal grab bar,
- 2) Reinforced backing opposite the seat for future vertical grab bar (bars by others),
- 3) Molded corner soap ledge,
- 4) Molded seat,
- 5) Molded leg ledge,
- 6) Tile pattern,
- 7) Diamond accents,
- 8) 4.0" threshold.

Available options:

- 1) Hand held shower set (includes: swivel connector, 60" flex hose, 30" slide bar, brass nipple, locknut, wall brackets, and shower outlet),
- 2) Pressure balance valve,
- 3) Green anti-bacterial shower curtain with hooks,
- 5) White weighted shower curtain with hooks,
- 6) Drain,
- 7) Grab bars.

TOP VIEW



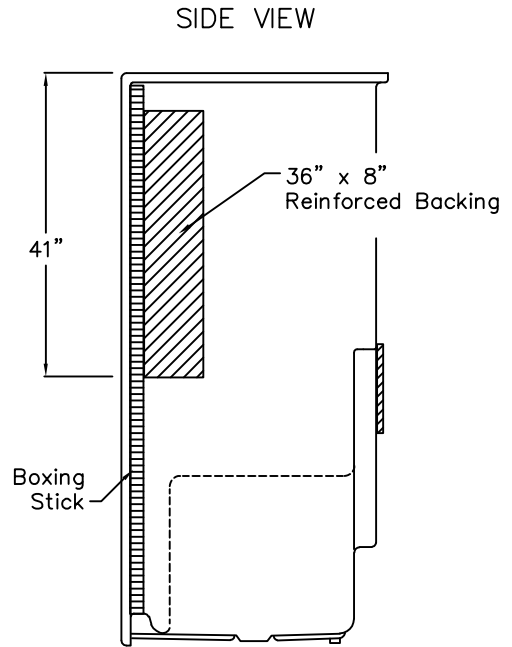
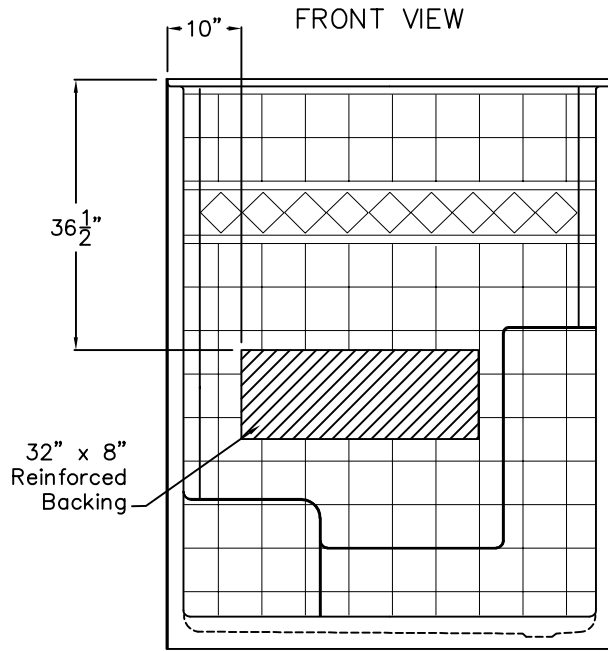
DUE TO THE NATURE OF THE MATERIALS DIMENSIONS MAY VARY ± 1/2"

Job Name:	PRAXIS
Approved By Print Name:	Drawing#: CHM 6036 SH 1S 4.0 FBP
Approved By Signature:	Date: 5-18-07 Revised: 4-4-17
Rep.:	Quote No.:

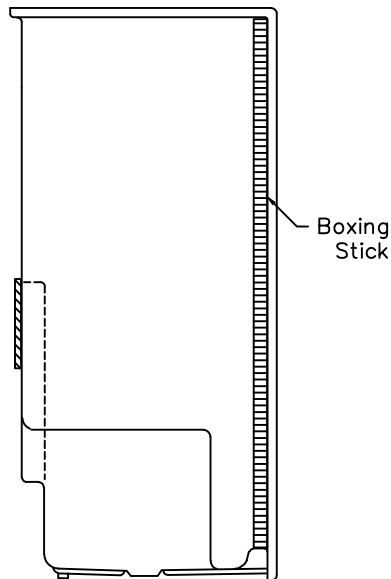
PRAXIS INDUSTRIES, LLC.
 435 INDUSTRIAL RD - SAVANNAH, TN 38372
 1 (800) 443-7269 - FAX (731) 925-4290

Backing Placement Drawing

SUBMITTAL DATA



SEAT SIDE VIEW



DUE TO THE NATURE OF THE MATERIALS
DIMENSIONS MAY VARY $\pm 1/2$ "

Job Name:	PRAXIS	
Approved by Print Name:	Drawing#: CHM 6036 SH 1S 4.0 FBP-BP	
Approved by Signature:	Date:	Date: 5-8-07. Revised: 4-4-17
Rep.:	Wholesaler:	Quote No.:

PRAXIS INDUSTRIES, LLC.
435 INDUSTRIAL RD - SAVANNAH, TN 38372
1 (800) 443-7269 - FAX (731) 925-4290