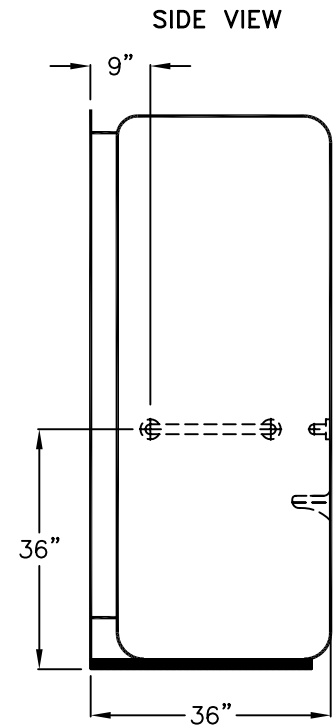
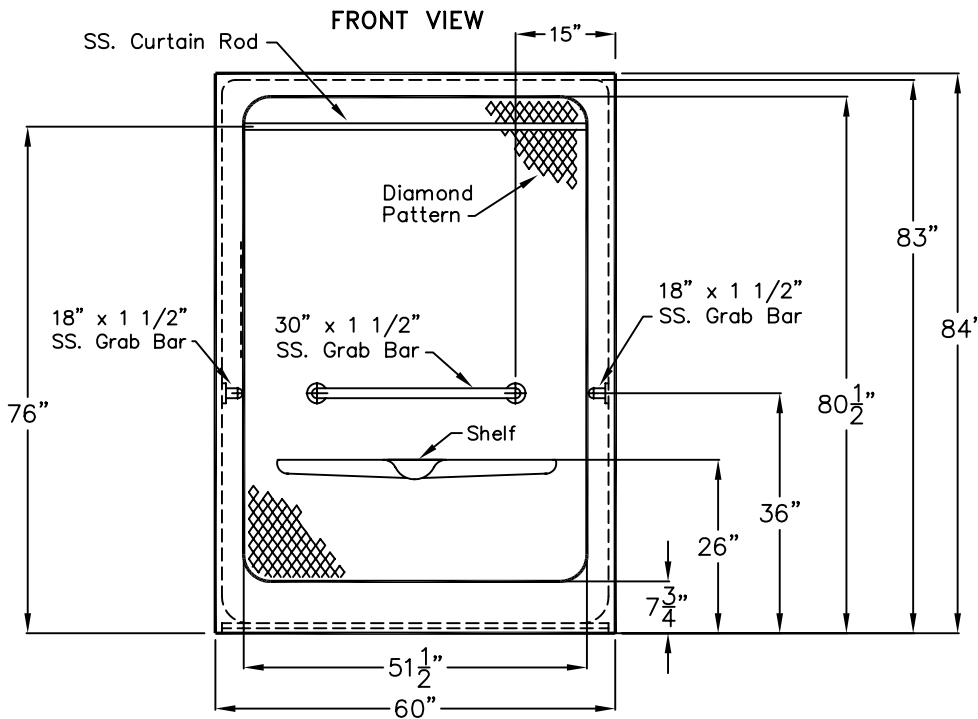


# Special Needs Series

## SUBMITTAL DATA



### Accessible Shower Stall

The tub enclosure shall be Aquarius Model H 6036 SH acrylic and be molded from a single sheet so as not to have any joints or seams. It shall meet ANSI Z124.2, NAHB, UPC, shall have a backside fire rating of "A" and a flame spread of less than 25, shall be designed to meet FHA, HUD, BOCA, and shall meet the requirements of most state and national standards on design for the disabled including Southern Building Code. The unit shall have outside dimensions of 60" x 36" x 84".

The enclosure shall be equipped with the following factory installed accessories:

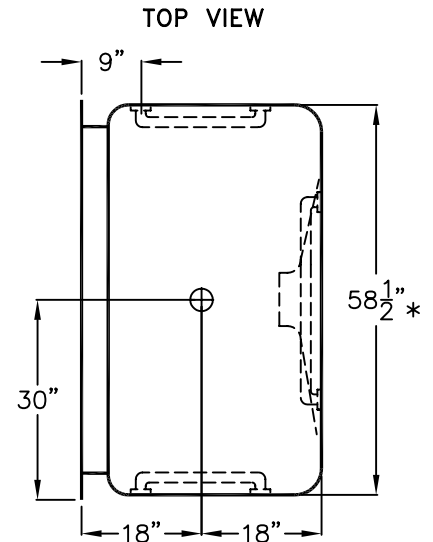
- 1) one 30" x 1 1/2" diameter, stainless steel horizontal grab bar on the back wall,
- 2) two 18" x 1 1/2" diameter, stainless steel horizontal grab bars, one on each side wall, all grab bars with 1 1/2" safety statute clearance, mounted with stainless steel bolts and secured from the rear with a 3" x 3" x 11 gauge metal mounting plates,
- 3) molded shelf on the back wall,
- 4) diamond pattern on the back wall,
- 5) one inch diameter, 18 gauge stainless steel curtain rod,
- 6) 7 3/4" Threshold.

#### Available Options:

- 1) Hand held shower set includes: hand set, 60" flex hose, swivel connector, vacuum breaker, brass nipple, lock nut and shower wall outlet, wall brackets,
- 2) Pressure balance valve,
- 3) Green shower curtain, anti-bacterial, and hooks, curtain and hooks,
- 4) white shower curtain with hooks
- 5) fold up seat,
- 6) dome light.

ROUGH-IN DIMENSIONS ARE: 60" x 37" x 84".

\* NOTE: THIS DIMENSION IS NOT TO SCALE. THIS DIMENSION INCLUDES NUTS/BOLTS, WOOD AND HARDWARE REQUIRED FOR ASSEMBLY.



DUE TO THE NATURE OF THE MATERIALS INVOLVED, UNIT DIMENSIONS MAY VARY ± 1/2 INCH.

Job Name:

**AQUARIUS**

Model No.:

Drawing#: H6036SH 7.75 Package

Approved by:

Date Approved:

Date: 7-18-96

Revised: 3-9-11

Rep.:

Wholesaler:

Quote No.:

PRAXIS INDUSTRIES, LLC.  
 435 INDUSTRIAL RD - SAVANNAH, TN 38372  
 1 (800) 443-7269 - FAX (731) 925-4290