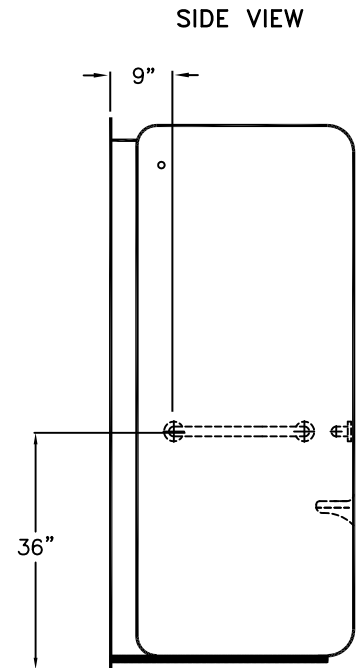
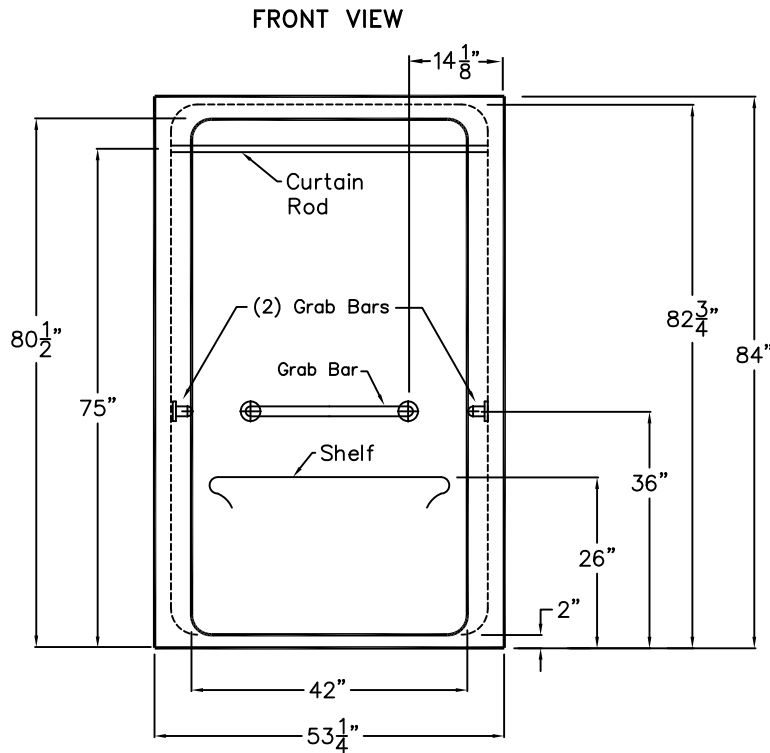


Special Needs Series

SUBMITTAL DATA



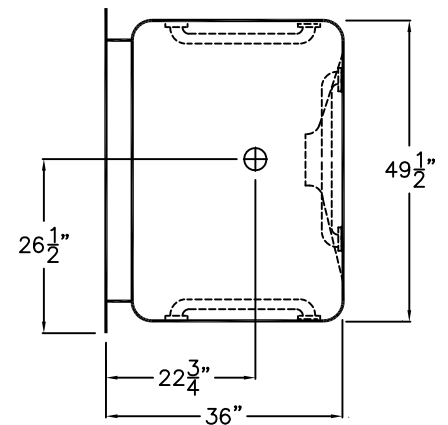
ACCESSIBLE SHOWER STALL

Shower enclosure shall be Aquarius model: H5336 BF 2.0 Acrylic shower. Unit is configured with one molded shelf on back wall, diamond pattern, and 2.0" threshold. Unit complies with ANSI A124.2.

- 1) Horizontal grab bar on back wall.
- 2) Two horizontal grab bars, one on each side wall.
- 3) Curtain rod.

Optional accessories: 1) molded seat, 2) fold up seat, 3) valve package includes: valve, hand shower set with swivel connector, 60" flex hose, 30" slide bar, vacuum breaker, wall outlet and brackets, 4) white shower curtain with hooks, 5) green anti-bacterial shower curtain with hooks, 6) dome light.

TOP VIEW



DUE TO THE NATURE OF THE MATERIALS INVOLVED,
 UNIT DIMENSIONS MAY VARY + 1/2 INCH.

Job Name:		AQUARIUS	
Model No.: H5336BF		Drawing#: H 5336 BF 2.0 Package One	
Approved by:	Date Approved:	Date: 5-30-07	Revised: 10-29-08
Rep.:	Wholesaler:	Quote No.:	

PRAXIS INDUSTRIES, INC.
 ROUTE 1, BOX 46D - SAVANNAH, TN 38372
 1 (800) 443-7269 - FAX (901) 925-4290