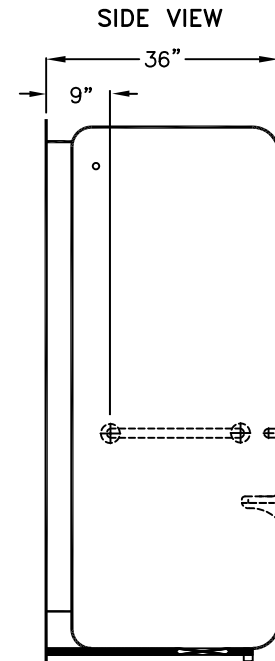
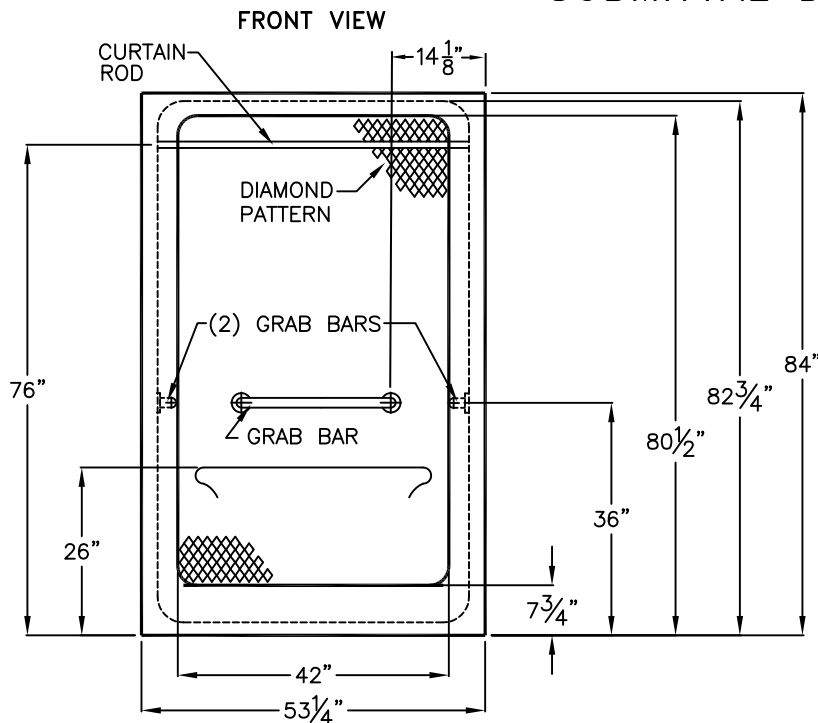


Special Needs Series

SUBMITTAL DATA



Accessible Shower Stall

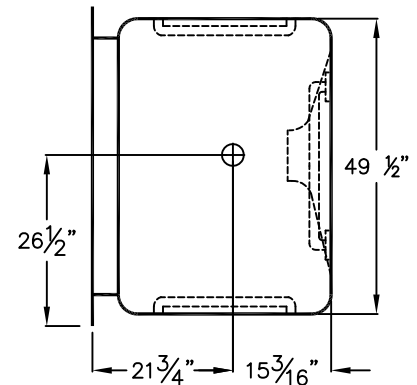
The shower enclosure shall be Aquarius Model H 5336 SH acrylic and be molded from a single sheet so as not to have any joints or seams. It shall meet ANSI Z124.2, shall have a backside fire rating of "A" and a flame spread of less than 25, shall be designed to meet FHA, HUD, BOCA, NAHB, and shall meet the requirements of most state and national standards on design for the disabled including Southern Building Code. For UPC listing substitute fold up seat for molded seat. the unit shall have inside dimensions of 48" x 35 3/4" x 80" and outside dimensions of 53 1/4" x 36" x 84".

The enclosure shall be equipped with the following factory installed accessories:

- 1) One horizontal grab bar on the back wall
- 2) One horizontal grab bar on each side wall
- 3) Curtain rod
- 4) Self caulking brass drain
- 5) one molded soap tray centered on back wall
- 6) Diamond pattern on back wall.
- 7) 7.75 Threshold

Available Options: 1) Factory installed fold up seat or molded seat, 2) Hand held shower set (includes: hand set, 60" flex hose, swivel connector, vacuum breaker, brass nipple, lock nut and shower wall outlet, wall brackets), 3) 24" or 30" slide bar, 4) Pressure balance valve, 5) Green shower curtain, anti-bacterial, and hooks, 6) White shower curtain and hooks, 7) dome light.

TOP VIEW



DUE TO THE NATURE OF THE MATERIALS INVOLVED,
 UNIT DIMENSIONS MAY VARY ± 1/2 INCH.

| | | |
|--------------|--------------------------------------|---------------------------------|
| Job Name: | AQUARIUS | |
| Model No.: | Drawing#: H 5336 SH 7.75 Package One | |
| Approved by: | Date Approved: | Date: 9-12-00 Revised: 10-29-08 |
| Rep.: | Wholesaler: | Quote No.: |

PRAXIS INDUSTRIES, LLC.
 435 INDUSTRIAL RD - SAVANNAH, TN 38372
 1 (800) 443-7269 - FAX (731) 925-4290