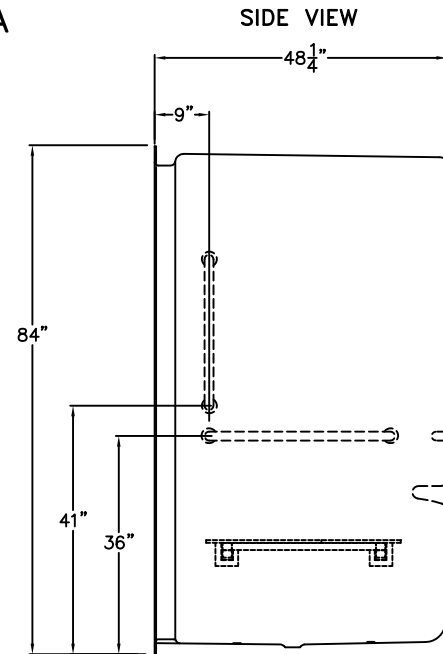
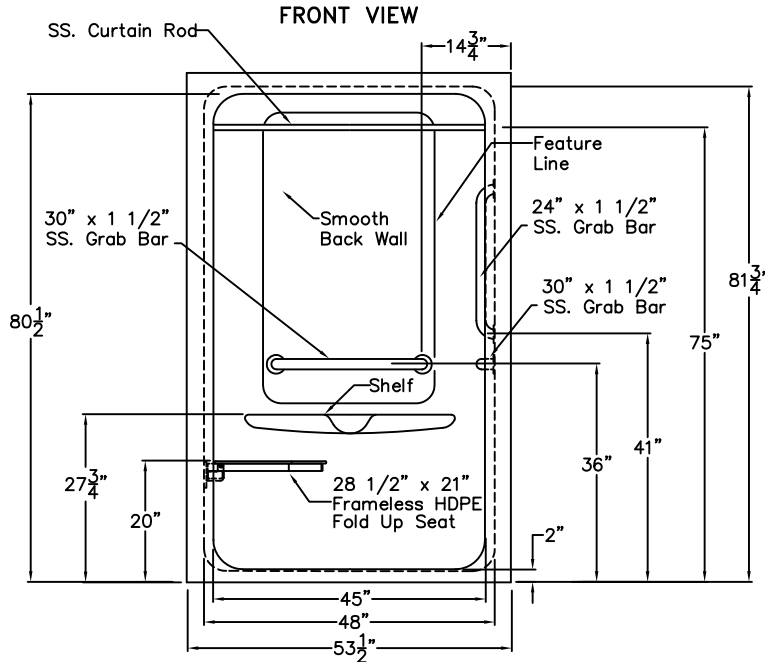


# Special Needs Series

## SUBMITTAL DATA



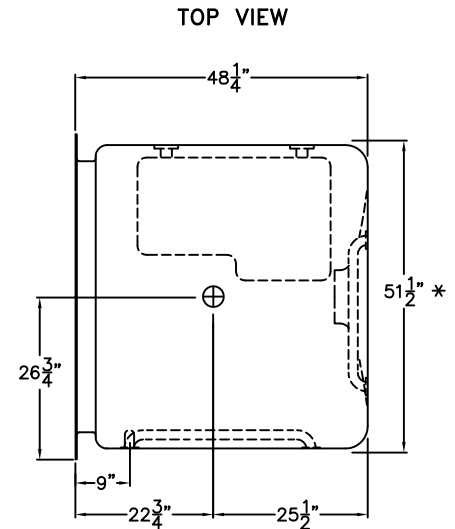
### Accessible Shower Stall

This shower enclosure shall be Aquarius Model H 4848 BF 2.0. The unit shall be molded from a single sheet of acrylic so as not to have any seams or joints. It shall meet ANSI Z124.2, Home Innovation Research Lab, UPC, FHA, HUD, shall have the back side fire rating of "A" and a flame spread of less than 25, and shall be designed to meet the requirements of most state and national standards on design for the disabled including Southern Building Code. The unit shall have outside dimensions of 53 1/2" x 48 1/4" x 84".

The enclosure shall be equipped with the following factory installed accessories:

- 1) One 24" x 1 1/2" diameter stainless steel horizontal grab bar on the back wall,
- 2) One 30" x 1 1/2" diameter stainless steel horizontal grab bar on the valve wall,
- 3) One 24" x 1 1/2" diameter stainless steel vertical grab bar on the valve wall, all with 1 1/2" clearance statute, mounted with stainless steel bolts secured from the rear with 3" x 3", 11 gauge metal backing plates,
- 3) 1" diameter 18 gauge stainless steel curtain rod, 4) 28 1/2" x 21" Frameless HDPE fold up seat, 5) smooth back wall with no diamond pattern,
- 6) 2.0" Threshold.

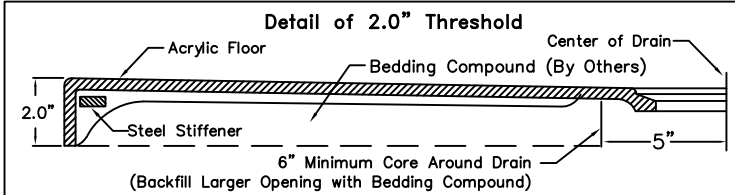
Available options: 1) hand held shower set includes: hand set, 60" flex hose, swivel connector, vacuum breaker, brass nipple, lock nut and shower wall outlet), 2) pressure balance valve, 3) green anti-bacterial shower curtain with hooks, 4) white shower curtain and hooks, 5) molded seat 6) recessed soap dish, 7) Vertical grab bar, 8) Nurses call box drilling, 9) dome light.



ROUGH IN DIMENSIONS: 53 1/2" x 48 1/4" x 84"

\* NOTE: THIS DIMENSION IS NOT TO SCALE. THIS DIMENSION INCLUDES NUTS/BOLTS, WOOD AND HARDWARE REQUIRED FOR ASSEMBLY.

DUE TO THE NATURE OF THE MATERIALS INVOLVED, UNIT DIMENSIONS MAY VARY ± 1/2 INCH.



## AQUARIUS

Approved By Signature:

Drawing#: H4848 BF 2.0 Package One Smooth

Approved By Print Name:

Date:

Date: 7-17-96

Revised: 5-8-15

Rep.:

Wholesaler:

Quote No.:

PRAXIS INDUSTRIES, LLC.  
 435 INDUSTRIAL RD - SAVANNAH, TN 38372  
 1 (800) 443-7269 - FAX (731) 925-4290