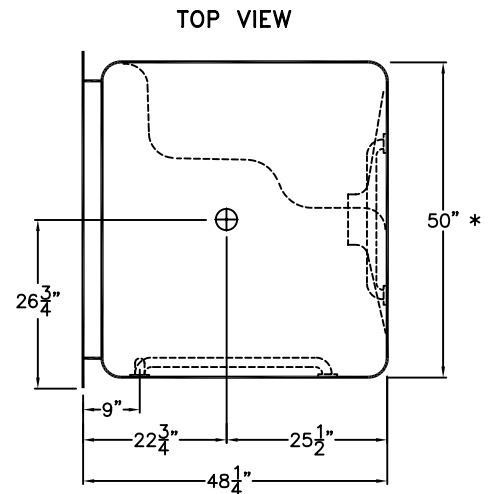
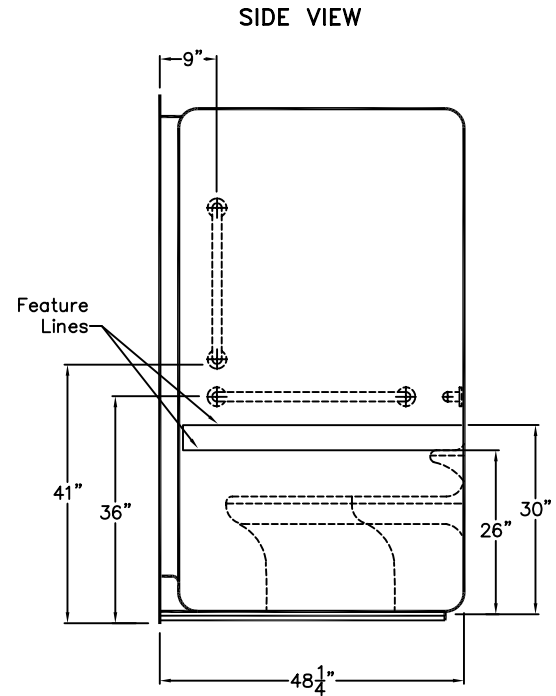
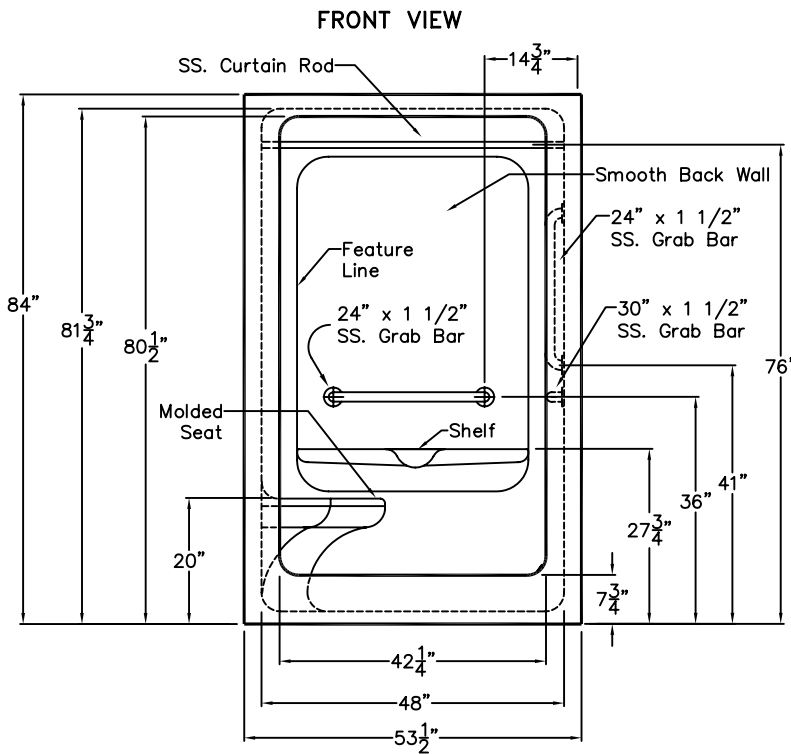


Special Needs Series

SUBMITTAL DATA



Accessible Shower Stall

This shower enclosure shall be Aquarius Model H 4848 SH 7.75 Acrylic shower. The unit shall be molded from a single sheet of acrylic so as not to have any seams or joints. It shall meet ANSI Z124.2, NAHB, UPC and shall have the back side fire rating of "A" and a flame spread of less than 25. Unit is designed to meet FHA, HUD, and shall meet the requirements of most state and national standards on design for the disabled including Southern Building Code. Building Code. The unit shall have outside dimensions of 53 1/2" x 48 1/4" x 84".

The enclosure shall be equipped with the following factory installed accessories:

- 1) One 24" x 1 1/2" diameter stainless steel horizontal grab bar on the back wall,
- 2) One 30" x 1 1/2" diameter stainless steel horizontal grab bar on the valve wall,
- 3) One 24" x 1 1/2" diameter stainless steel vertical grab bar on the valve wall, all with 1 1/2' clearance statute, mounted with stainless steel bolts secured from the rear with 3" x 3", 11 gauge metal backing plates,
- 4) 1" diameter 18 gauge stainless steel curtain rod,
- 5) molded seat,
- 6) smooth back wall with no diamond pattern, feature lines on back wall and both side walls,
- 7) 7 3/4" Threshold.

Rough In Dimensions: 53 1/2" x 49 1/4" x 84"

* Note: This dimension is not to scale. This dimension includes nuts/bolts wood and hardware required for assembly.

DUE TO THE NATURE OF THE MATERIALS INVOLVED, UNIT DIMENSIONS MAY VARY ± 1/2 INCH.

Job Name:

AQUARIUS

Model No.: H4848SH

Drawing#: H4848 SH 7.75 Package One

Approved by:

Date Approved:

Date: 7-18-96

Revised: 5-11-11

Rep.:

Wholesaler:

Quote No.:

PRAXIS INDUSTRIES, LLC.
 ROUTE 1, BOX 46D - SAVANNAH, TN 38372
 1 (800) 443-7269 - FAX (731) 925-4290