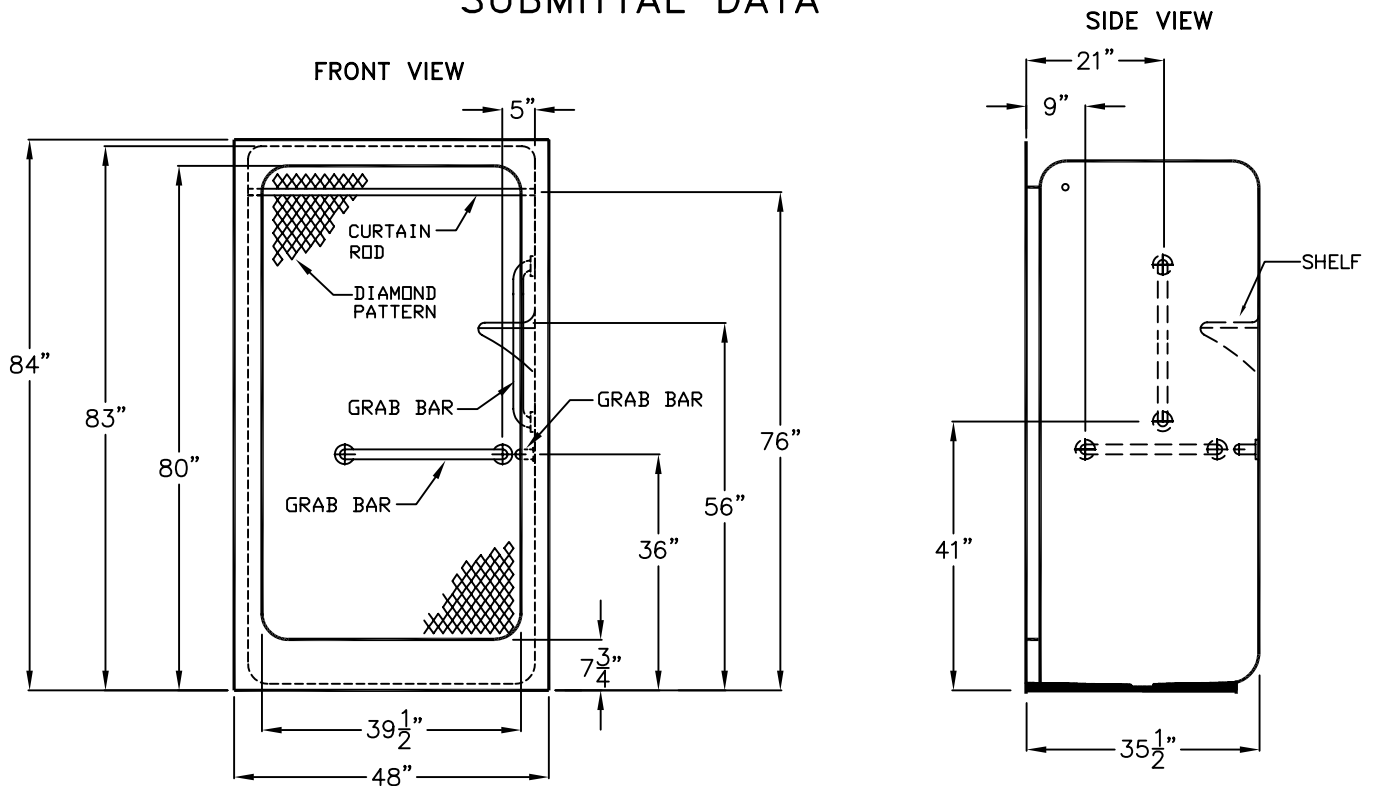


Special Needs Series

SUBMITTAL DATA



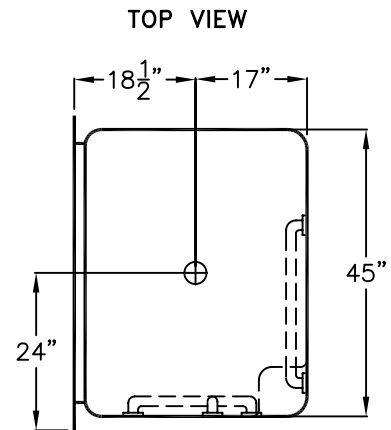
Accessible Shower Stall

The shower enclosure shall be Aquarius Model H 4836 SH acrylic and be molded from a single sheet so as not to have any joints or seams. It shall meet ANSI Z124.2, shall have a backside fire rating of "A" and a flame spread of less than 25, shall be designed to meet FHA, HUD, BOCA, NAHB, and shall meet the requirements of most state and national standards on design for the disabled including Southern Building Code. The unit shall have outside dimensions of 48" x 35 1/2" x 84".

The enclosure shall be equipped with the following factory installed accessories:

- 1) One horizontal L-grab bar.
- 2) One vertical grab bar.
- 3) Fold up seat.
- 4) Curtain rod

Available Options: 1) molded seat, 2) green shower curtain with hooks, 3) white shower curtain with hooks, 4) paint applied textured floor, 5) dome light, 6) valve package.



DUE TO THE NATURE OF THE MATERIALS
 DIMENSIONS MAY VARY ± 1/2"

Job Name:	AQUARIUS		
Model No.:	Drawing#: H4836 SH 7.75 Package One		
Approved by:	Date Approved:	Date: 6-7-07	Revised: 3-10-09
Rep.:	Wholesaler:	Quote No.:	

PRAXIS INDUSTRIES, LLC.
 435 INDUSTRIAL RD - SAVANNAH, TN 38372
 1 (800) 443-7269 - FAX (731) 925-4290