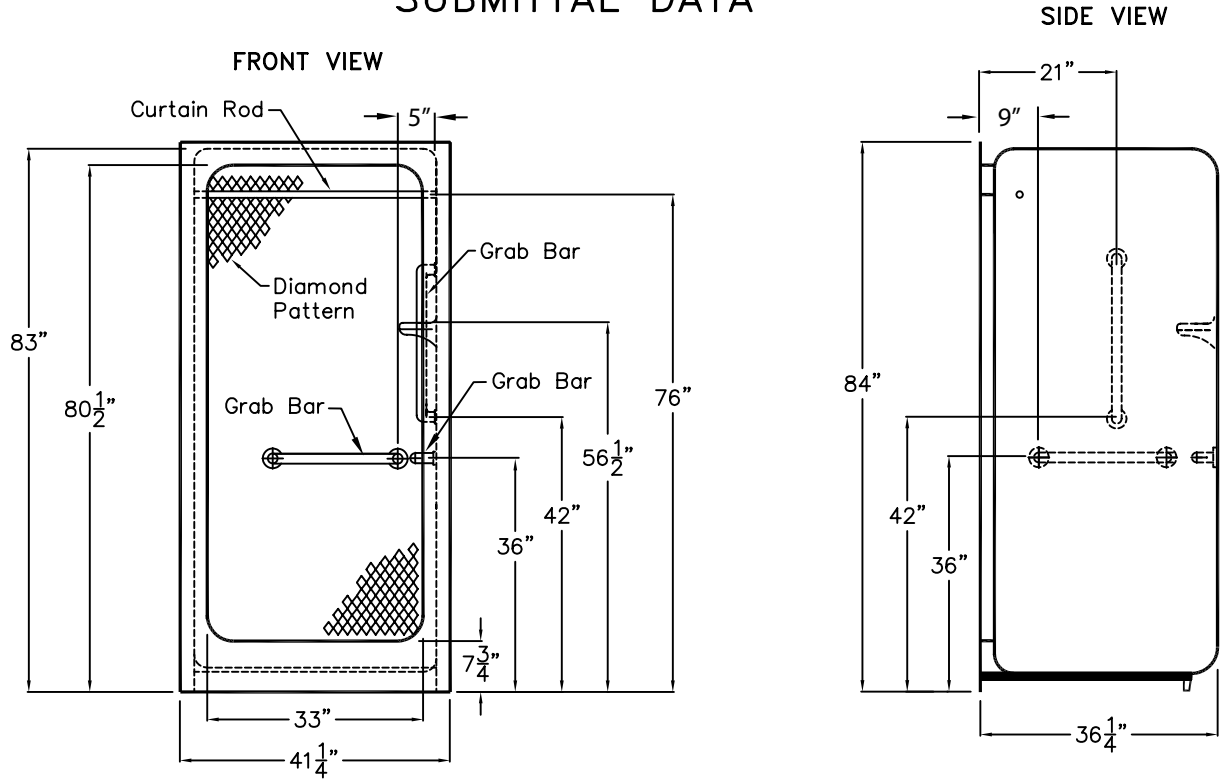


Special Needs Series

SUBMITTAL DATA



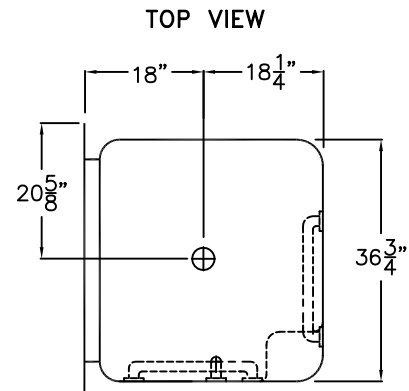
Assisted Living Shower Stall

The shower enclosure shall be Aquarius Model H 4136 SH acrylic and be molded from a single sheet so as not to have any joints or seams. It shall meet ANSI Z124.2, shall have a backside fire rating of "A" and a flame spread of less than 25 shall be designed to meet FHA, HUD, BOCA, NAHB, and shall meet the requirements of most state and national standards on design for the disabled including Southern Building Code. The unit shall have inside dimensions of 36" x 36" x 80 1/2" and outside dimensions of 41 1/4" x 36 1/4" x 84".

The enclosure shall be equipped with the following factory installed accessories:

- 1) One horizontal grab bar on back wall.
- 2) One horizontal grab bar on side wall.
- 3) One vertical grab bar on side wall.
- 4) Curtain rod.

Available Options: 1) Factory installed fold up seat, 2) Hand held shower set includes: hand set, 60" flex hose, swivel connector, vacuum breaker, brass nipple, lock nut and shower wall outlet wall brackets 3) 24" or 30" slide bar, 4) Pressure balance valve, 5) Green shower curtain, anti-bacterial, and hooks, 6) White shower curtain and hooks, 7) Painted applied textured floor, 8) Dome light.



DUE TO THE NATURE OF THE MATERIALS DIMENSIONS MAY VARY ± 1/2"

Job Name:	AQUARIUS		
Model No.:	Drawing#: H4136 SH 7.75 Package One		
Approved by:	Date Approved:	Date: 4-5-99	Revised: 12-8-08
Rep.:	Wholesaler:	Quote No.:	

PRAXIS INDUSTRIES, INC.
 ROUTE 1, BOX 46D - SAVANNAH, TN 38372
 1 (800) 443-7269 - FAX (901) 925-4290