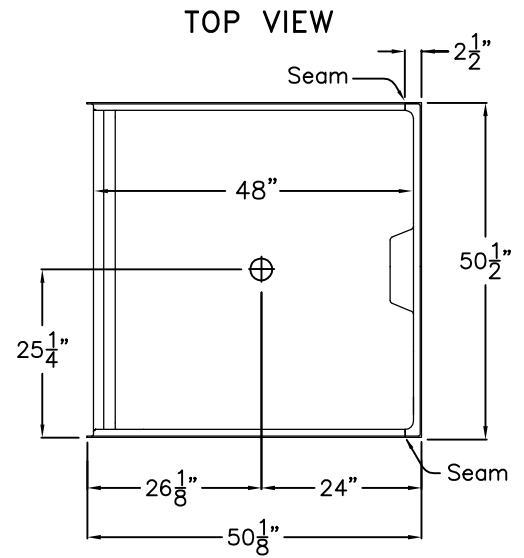
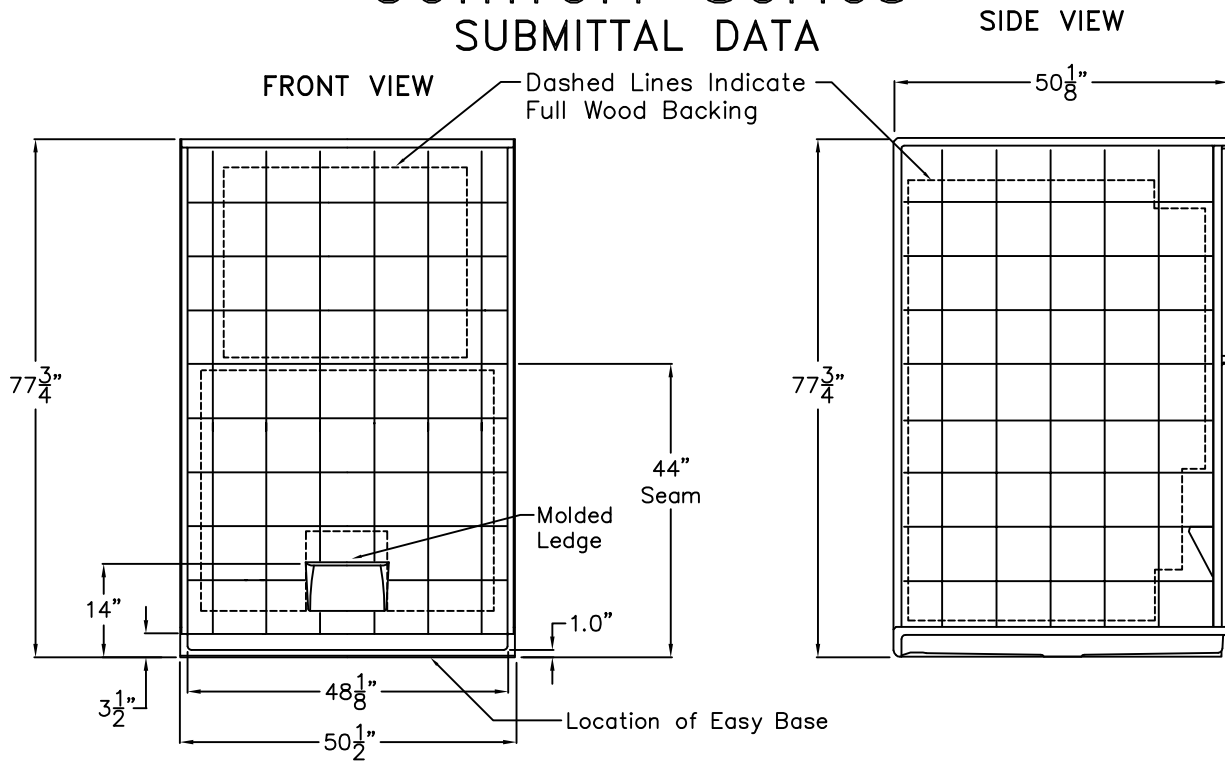


# Comfort Series SUBMITTAL DATA

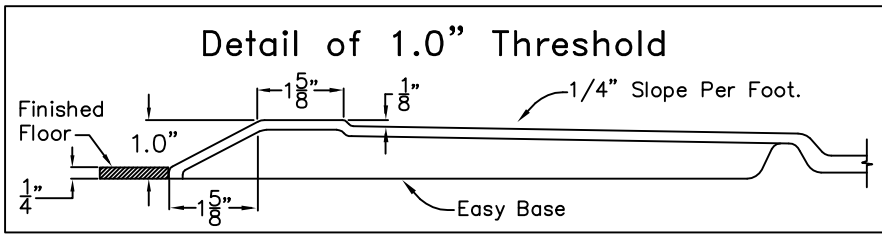


**Sectional Shower**

This shower enclosure shall be Aquarius Model MP 5050 BF 5P 1.0 center drain. Finished surface shall be of sanitary-grade applied acrylic. The unit shall have outside dimensions of 50 1/2" x 50 1/8" x 77 3/4". The unit shall meet IAPMO Z124-2011, and CSA B45.5-11.

The enclosure shall be equipped with the following factory installed accessories:

- 1) Molded lower ledge on back wall,
- 2) Tile finish,
- 3) Five piece sectional design,
- 4) Full wood backing on all walls,
- 5) Factory installed Easy Base self sustaining bottom,
- 6) 1.0" threshold.



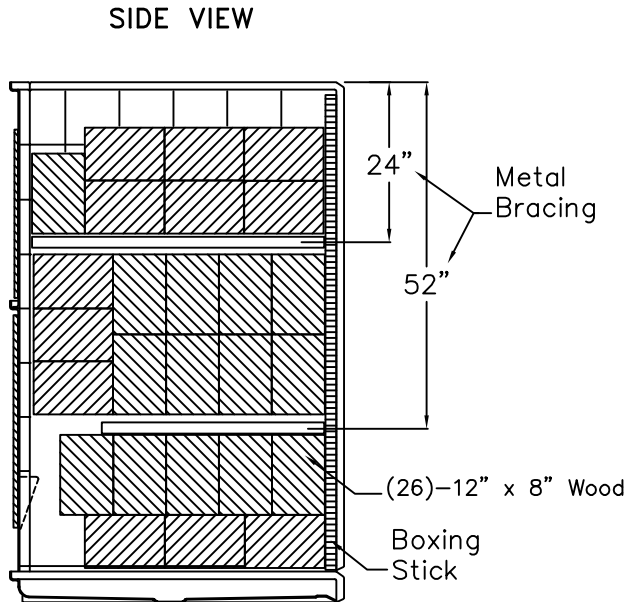
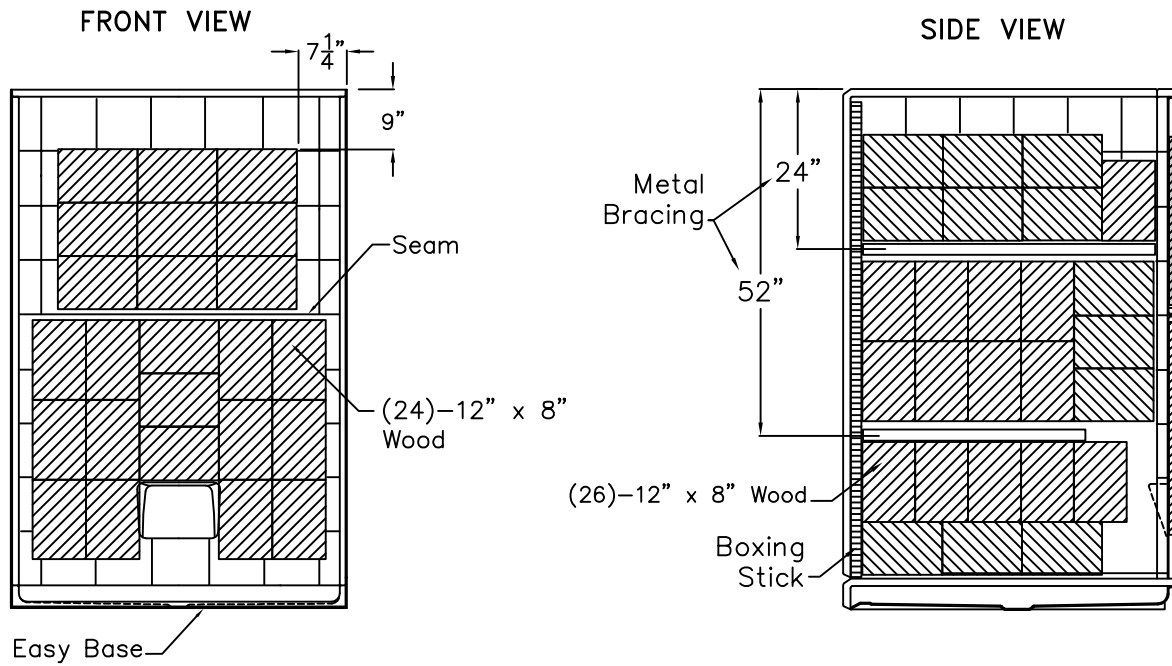
DUE TO THE NATURE OF THE MATERIALS INVOLVED  
UNIT DIMENSIONS MAY VARY ± 1/2 INCH

Approved By Print Name:		Drawing#: MP 5050 BF 5P 1.0	
Approved By Signature:	Date:	Date: 3-15-12	Revised: 10-17-16
Rep.:	Wholesaler:	Quote No.	

PRAXIS INDUSTRIES, INC.  
ROUTE 1, BOX 46D - SAVANNAH, TN 38372  
1 (800) 443-7269 - FAX (901) 925-4290

# Board Placement Drawing

## SUBMITTAL DATA



Job Name:	AQUARIUS	
Approved by Print Name:	Drawing#: MP 5050 BF 5P 1.0-BP	
Approved by Signature:	Date:	Date: 12-21-09      Revised: 10-17-16
Rep.:	Wholesaler:	Quote No.:

PRAXIS INDUSTRIES, INC.  
 ROUTE 1, BOX 46D - SAVANNAH, TN 38372  
 1 (800) 443-7269 - FAX (901) 925-4290