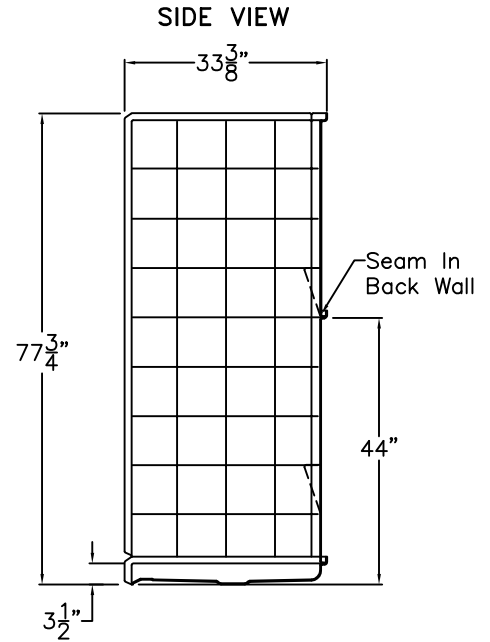
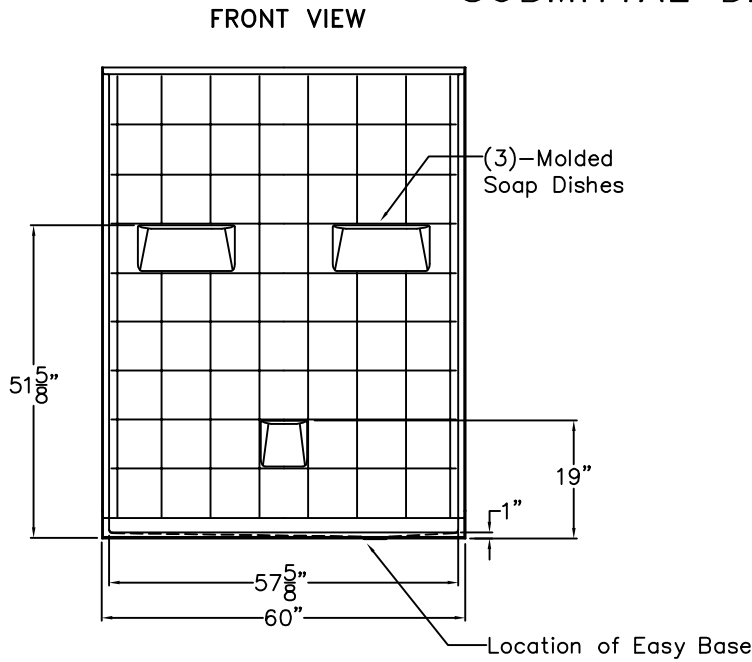
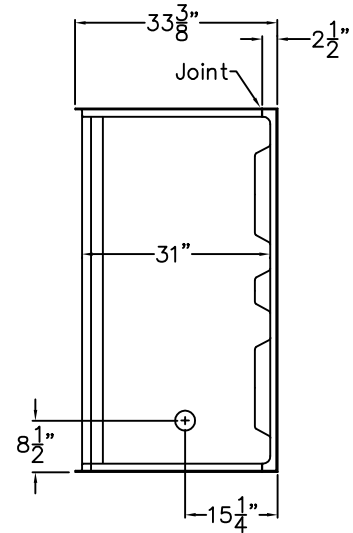


Comfort Series

SUBMITTAL DATA



TOP VIEW



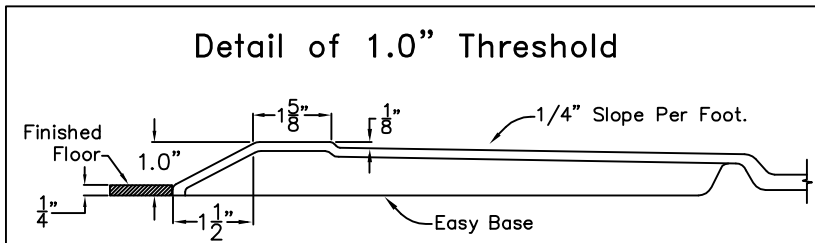
Sectional Shower

This shower enclosure shall be Aquarius Model MP 6033 BF 5P 1.0 left or right drain location. Finished surface shall be of sanitary-grade applied acrylic. The unit shall have outside dimensions of 60" x 33 3/8" x 77 3/4". The unit shall meet IAPMO Z124-2011, and CSA B45.5-11.

The enclosure shall be equipped with the following factory installed accessories:

- 1) Molded soap ledges,
- 2) Molded lower ledge on back wall,
- 3) Tile finish,
- 4) Five piece sectional design,
- 5) Full wood backing on all walls,
- 6) Factory installed Easy Base self sustaining bottom,
- 7) Left or right hand drain location,
- 8) 1.0" threshold.

Detail of 1.0" Threshold



DUE TO THE NATURE OF THE MATERIALS INVOLVED
UNIT DIMENSIONS MAY VARY ± 1/2 INCH

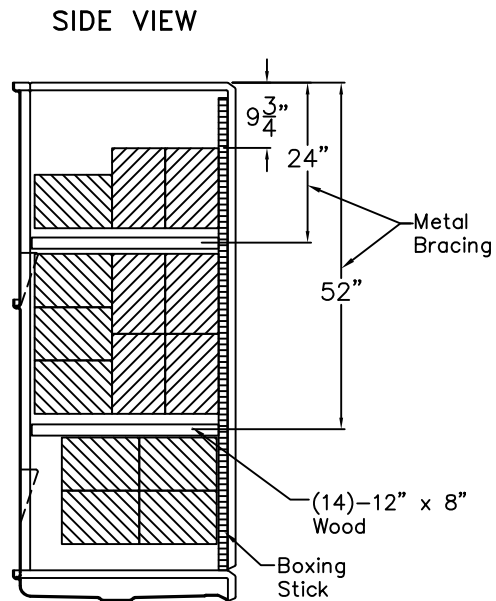
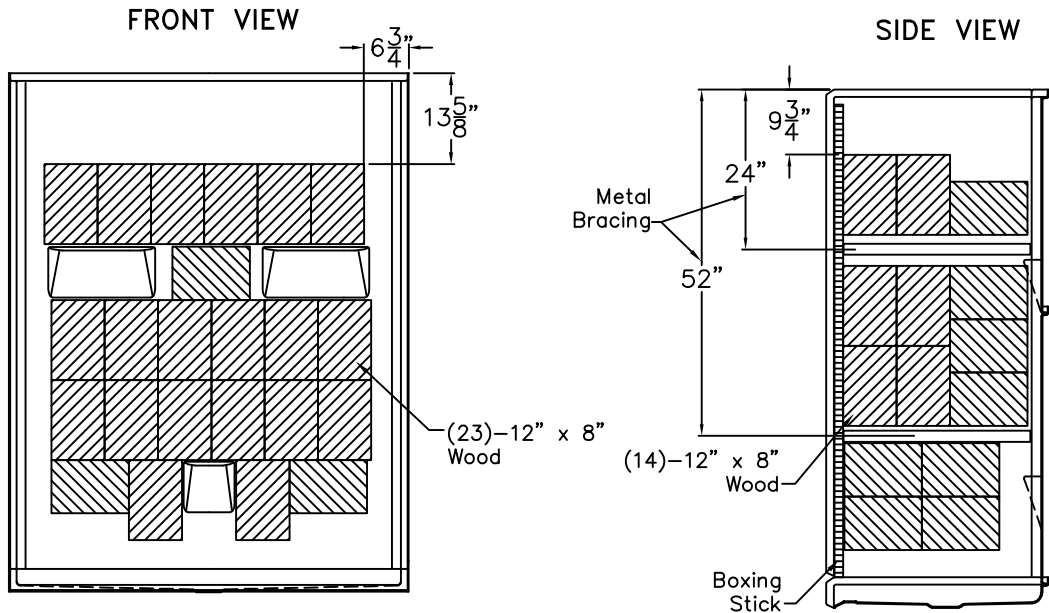
Job Name:	AQUARIUS	
Approved by Print Name:	Drawing#: MP 6033 BF 5P 1.0 L-R	
Approved by Signature:	Date:	Date: 8-31-10 Revised: 10-21-16
Rep.:	Wholesaler:	Quote No.

PRAXIS INDUSTRIES, INC.
ROUTE 1, BOX 46D - SAVANNAH, TN 38372
1 (800) 443-7269 - FAX (901) 925-4290

Recyclable Paper

Board Placement Drawing

SUBMITTAL DATA



DUE TO THE NATURE OF THE MATERIALS INVOLVED
UNIT DIMENSIONS MAY VARY ± 1/2 INCH

Job Name:	AQUARIUS
Approved by Print Name:	Drawing#: MP 6033 BF 5P 1.0 L-R-BP
Approved by Signature:	Date: 3-31-09 Revised: 10-21-16
Rep.:	Wholesaler: Quote No.:

PRAXIS INDUSTRIES, INC.
ROUTE 1, BOX 46D - SAVANNAH, TN 38372
1 (800) 443-7269 - FAX (901) 925-4290