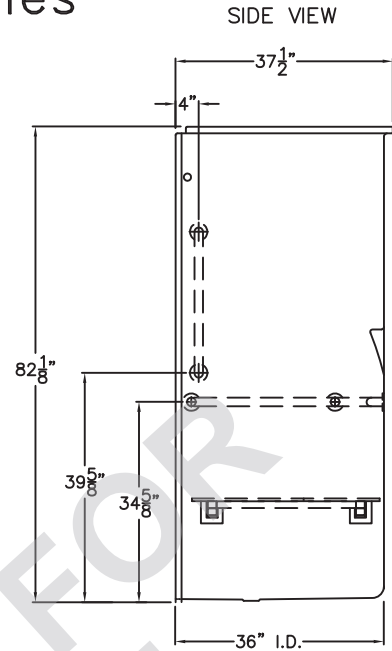
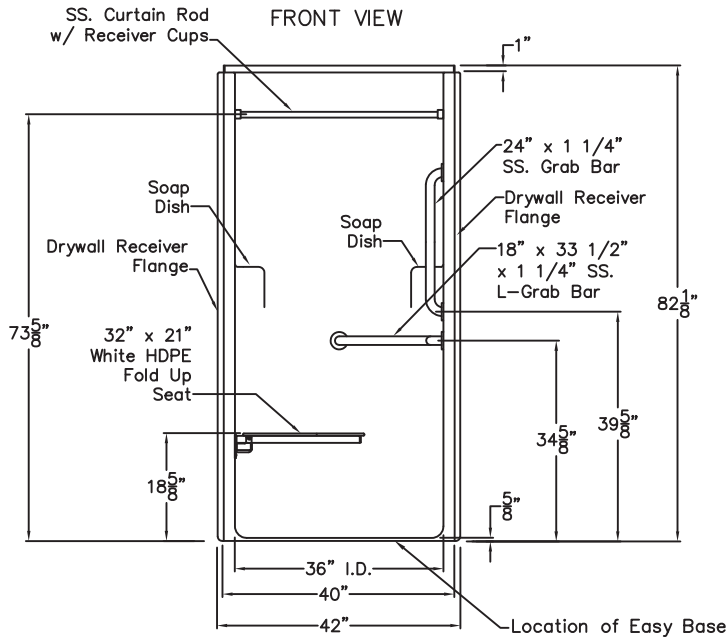


# Special Needs Series

## SUBMITTAL DATA



### Transfer Shower Stall

The shower enclosure shall be Aquarius model G 3682 BF right or left. Finished surface shall be of a sanitary grade applied acrylic. The base shall be attached to the sump of the unit in such a manner to form an integral part with an inner and outer coating of polyester resin. The unit shall have outside dimensions of 42" x 37 1/2" x 82". Unit complies with ADA, ICC/ANSI A117.1, and ANSI Z124.1.2.

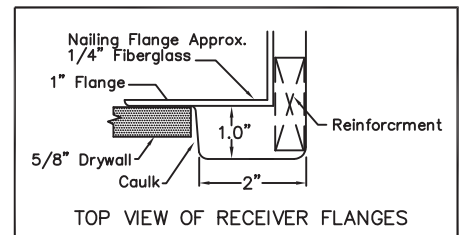
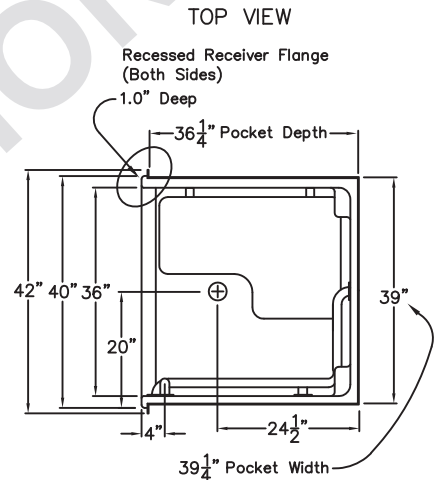
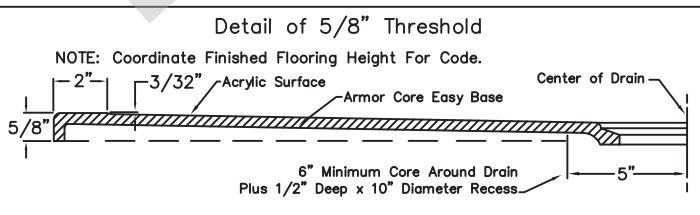
The enclosure shall be equipped with the following installed accessories:

- 1) One 18" x 33 1/2" x 1 1/4" diameter stainless steel horizontal L-grab bar,
- 2) One 24" x 1 1/4" diameter stainless steel vertical grab bar on the valve wall, both with 1 1/2" statute clearance, mounted with stainless steel bolts, and secured from the rear with 3" x 3" x 11 gauge metal mounting plates,
- 3) 32" x 21" frameless white HDPE fold up seat,
- 4) Molded recessed receiver flange on both sides,
- 5) Molded corner soap dishes,
- 6) One inch diameter, 18 gauge stainless steel curtain rod with receiver cups,
- 7) Factory installed Armor Core Easy Base,
- 8) 5/8" threshold.

Available accessories: 9) Green anti-bacterial shower curtain with hooks, 10) White weighted shower curtain with hook, 11) Recessed soap dish, 12) Nurses call box drilling, 13) Valve package.

This unit features the outside dimensions of 39" of overall width. This does not allow for full enclosure of the bolts that are used to secure the bars and seat in place. This may require the need to notch studs to allow for bolt clearance for installation. For a dry wall enclosed fire wall installation, adjustment of the wallboard may be necessary to provide clearance of the bolts while maintaining the integrity of the drywall fire wall enclosure.

NOTE: THIS UNIT WILL NOT ACCEPT A DOOR!



DUE TO THE NATURE OF THE MATERIALS DIMENSIONS MAY VARY ± 1/4"

## AQUARIUS

Approved By Print Name:

Drawing#: G 3682 BF .625 Package 1 ADA

Approved By Signature:

Date:

Date: 3-31-07

Revised: 6-11-19

Rep.:

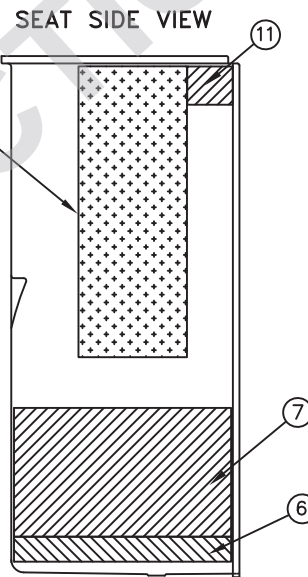
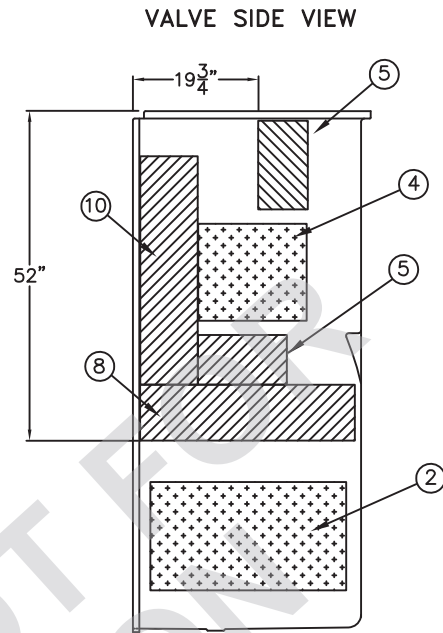
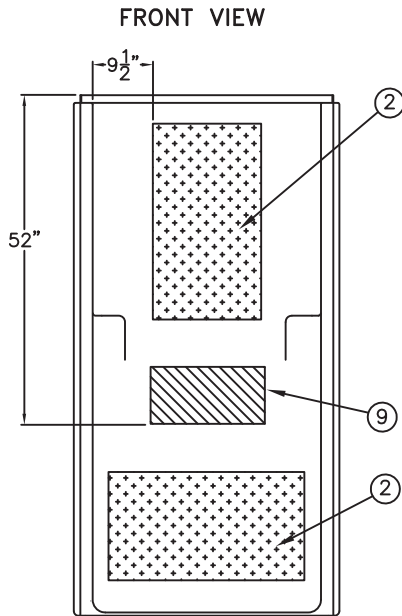
Wholesaler:

Quote No.:

PRAXIS INDUSTRIES, LLC.  
435 INDUSTRIAL RD - SAVANNAH, TN 38372  
1 (800) 443-7269 - FAX (731) 925-4290

# Backing Placement

## SUBMITTAL DATA



ITEM NO.	PART NUMBER	QTY.
1	3682 BF	1
2	17" x 31" (CUT FROM 5174DCORR)	3
3	17" x 46" (5174DCORR)	1
4	17" x 15" (5174DCORR)	1
5	8" x 14" x .250 (4848CORR-25)	2
6	34" x 25" x .250 (4848CORR-25)	1
7	34" x 17" x .125 (4848CORR-125)	1
8	34" x 9" x .250 (4848CORR-25)	1
9	18" x 9" x .250 (4848CORR-25)	1
10	7" x 36" x .250 (4848CORR-25)	1
11	6" x 7" x .250 (4848CORR-25)	1

APPLICATION:	THICKNESS:
APPLIED ACRYLIC	18.5 MIL
1ST LAMINATION	60 MIL
CORRUGATED	25 MIL
ARMORCORE	75 MIL
2ND LAMINATION	50 MIL

ALL REINFORCED AREAS TO BE ENCAPSULATED BY SECOND LAMINATION.  
 OVERALL LAMINATION THICKNESS TOLERANCE: -0/+80 MILS.

DUE TO THE NATURE OF THE MATERIALS DIMENSIONS MAY VARY ± 1/2"

Job Name:	<b>AQUARIUS</b>		
Approved by Print Name:	Drawing#: G 3682 BF .625 Package 1 ADA-BP		
Approved by Signature:	Date:	Date: 4-6-18	Revised: 6-11-19
Rep.:	Wholesaler:	Quote No.:	

PRAXIS INDUSTRIES, LLC.  
 435 INDUSTRIAL RD - SAVANNAH, TN 38372  
 1 (800) 443-7269 - FAX (731) 925-4290