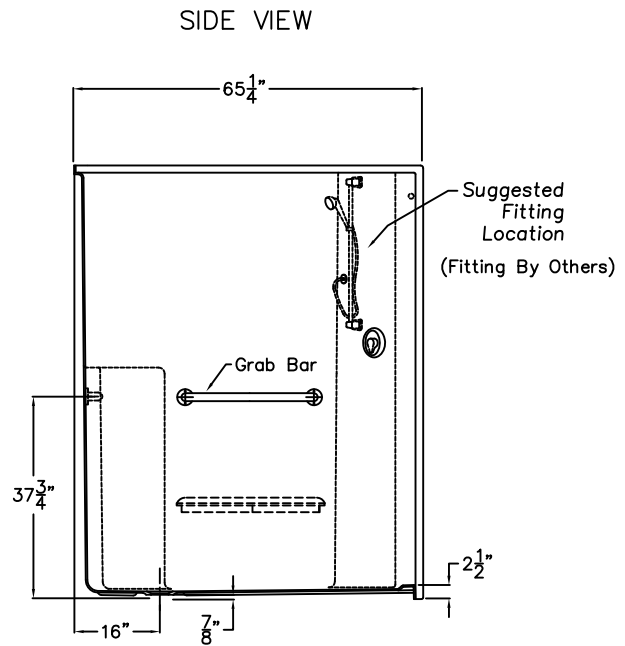
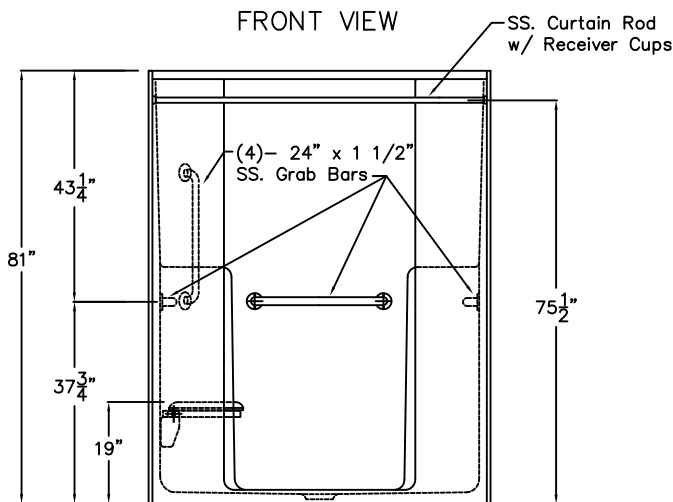
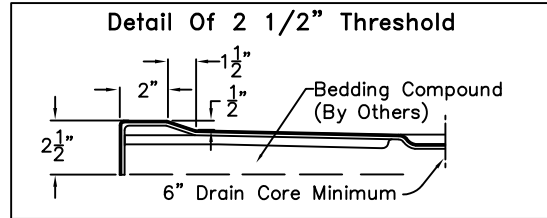
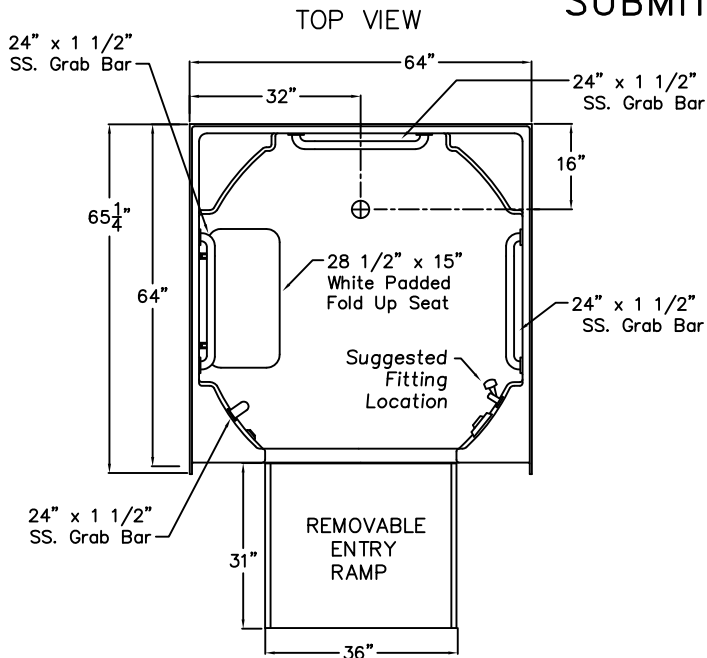


SPECIAL NEEDS SERIES

SUBMITTAL DATA



64" APPLIED ACRYLIC BARRIER FREE SHOWER SYSTEM WITH RAMP. UNIT FEATURES TWO MOLDED SHELVES, REMOVABLE ENTRY RAMP, AND 2 1/2" THRESHOLD.

Shower configured with the following accessories:

- 1) Three 24" x 1 1/2" stainless steel horizontal grab bars.
- 2) One 24" x 1 1/2" stainless steel vertical grab bar.
- 3) White padded 28 1/2" x 15" Fold up seat.
- 4) One inch diameter, stainless steel curtain rod with receiver cups,
- 5) Removable ramp,
- 6) Full wood backing required for this model.

DUE TO THE NATURE OF THE MATERIALS
DIMENSIONS MAY VARY ± 1/2"

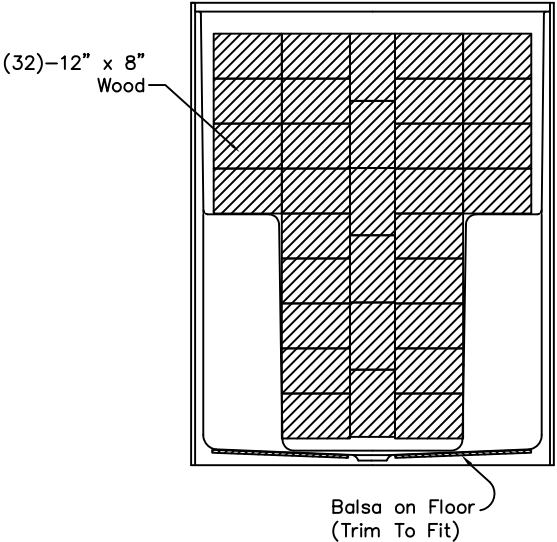
Job Name:	AQUARIUS
Approved By Print Name:	Drawing#: G6464 BF 2.50 Package One with Curtain Rod
Approved By Signature:	Date Approved: Date: 3-1-07 Revised: 11-4-16
Rep.:	Wholesaler: Quote No.:

PRAXIS INDUSTRIES, LLC.
435 INDUSTRIAL ROAD, SAVANNAH, TN 38372
1 (800) 326-5489 - FAX (888) 246-0466

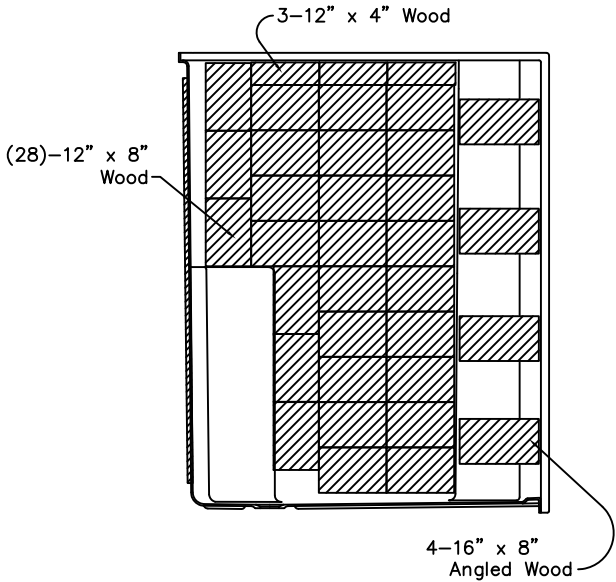
Board Placement

SUBMITTAL DATA

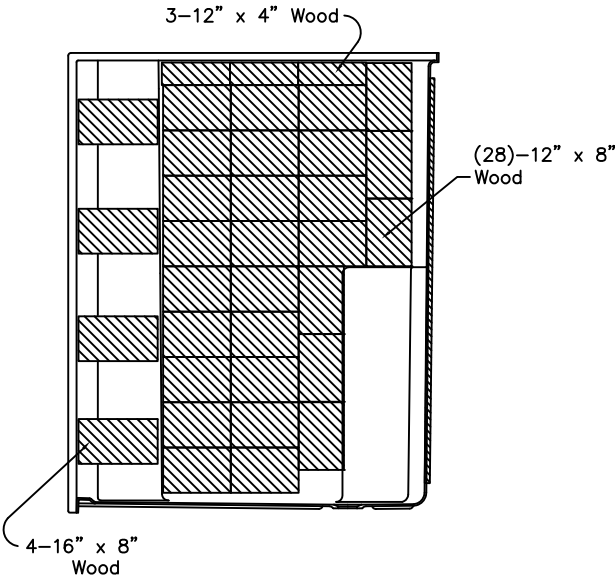
BACK VIEW



SIDE VIEW



SIDE VIEW



DUE TO THE NATURE OF THE MATERIALS
DIMENSIONS MAY VARY ± 1/2"

Job Name:	AQUARIUS
Model No.:	Drawing#: G6464 BF 2.50 Package One with Curtain Rod-BP
Approved by:	Date: 4-17-98
Date Approved:	Revised: 11-4-16
Rep.:	Quote No.:
Wholesaler:	

PRAXIS INDUSTRIES, LLC.
435 INDUSTRIAL RD - SAVANNAH, TN 38372
1 (800) 443-7269 - FAX (731) 925-4290