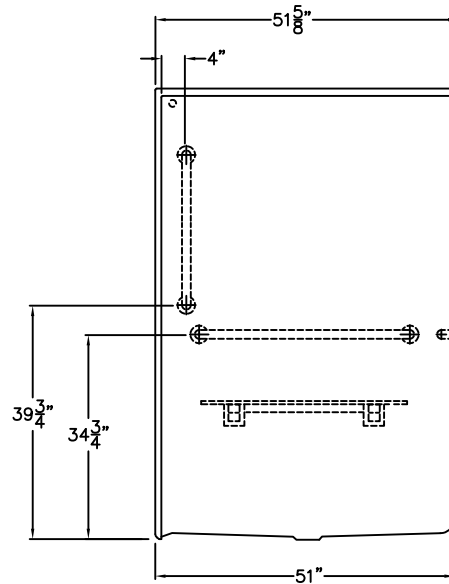
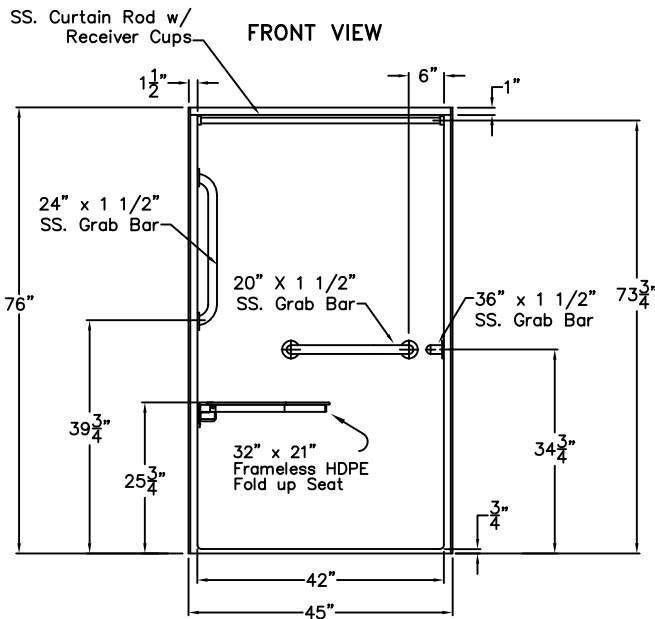


Special Needs Series

SUBMITTAL DATA

SIDE VIEW



Accessible Shower Stall

The shower enclosure shall be Aquarius model G 4248 BF right or left. Finished surface shall be of a sanitary grade applied acrylic. The base shall be attached to the sump of the unit in such a manner to form an integral part with an inner and outer coating of polyester resin. The unit shall have outside dimensions of 45" x 51 5/8" x 76". Unit complies with UPC, CSA B45.5, HUD-UM73, ANSI Z124.1.2, and Home Innovation Research Lab.

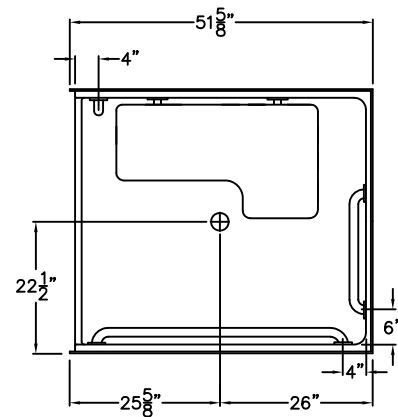
The enclosure shall be equipped with the following installed accessories:

- 1) One 20" x 1 1/2" diameter 18 gauge stainless steel grab bar horizontal on the back wall,
- 2) One 36" x 1 1/2" diameter 18 gauge stainless steel grab bar horizontal on the valve wall,
- 3) One 24" x 1 1/2" diameter 18 gauge stainless steel grab bar vertical on the seat wall, all with 1 1/2" statute clearance, mounted from the rear with stainless steel bolts, and 3" x 3" x 11 gauge metal mounting plates,
- 4) 32" x 21" frameless white HDPE fold up seat,
- 5) One inch diameter stainless steel curtain rod with receiver cups,
- 6) 3/4" threshold.

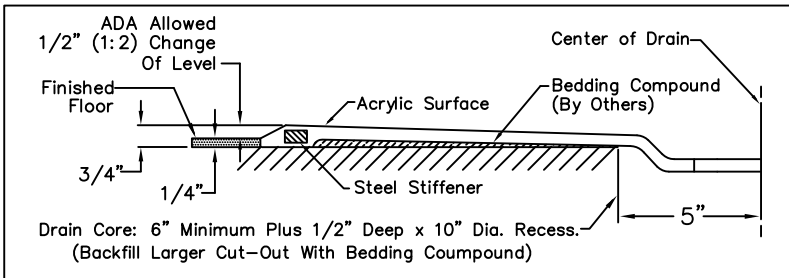
Available accessories: 7) Green anti-bacterial shower curtain with hooks, 8) White shower curtain with hooks, 9) Recessed soap dish, 11) Valve package includes: hand held shower set, swivel connector, 60" flex hose, 30" slide bar, vacuum breaker, wall water outlet fitting, 12) Nurses call box drilling. 13) Easy Base.

This unit features the outside dimensions of 39" of overall width. This does not allow for full enclosure of the bolts that are used to secure the bars and seat in place. This may require the need to notch studs to allow for bolt clearance for installation. For a dry wall enclosed fire wall installation, adjustment of the wallboard may be necessary to provide clearance of the bolts while maintaining the integrity of the drywall fire wall enclosure.

TOP VIEW



DUE TO THE NATURE OF THE MATERIALS INVOLVED, UNIT DIMENSIONS MAY VARY ± 1/2 INCH



AQUARIUS

Approved by Print Name:

Drawing#: G4248 BF .75 HBW HSW VSW
FHDP CR

Approved by Signature:

Date:

Date: 7-19-96

Revised: 10-12-16

Rep.:

Wholesaler:

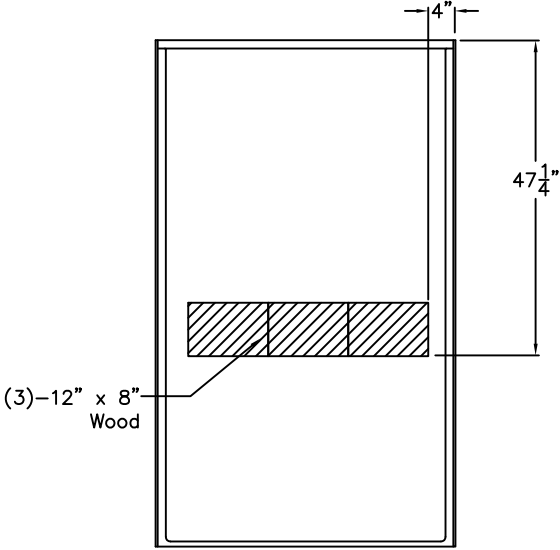
Quote No.:

PRAXIS INDUSTRIES, INC.
ROUTE 1, BOX 46D - SAVANNAH, TN 38372
1 (800) 443-7269 - FAX (901) 925-4290

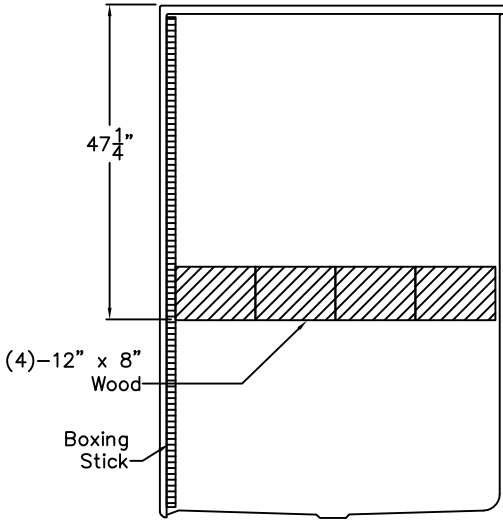
Board Placement

SUBMITTAL DATA

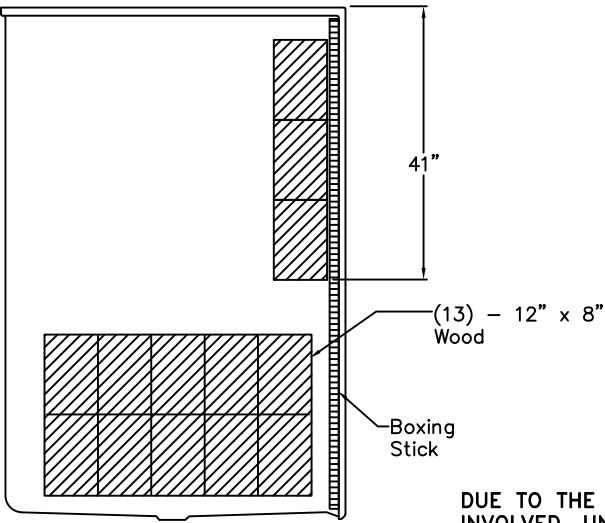
FRONT VIEW



VALVE SIDE VIEW



SEAT SIDE VIEW



DUE TO THE NATURE OF THE MATERIALS INVOLVED, UNIT DIMENSIONS MAY VARY ± 1/2 INCH

Job Name:	AQUARIUS
Approved by Print Name:	Drawing#: G4248 BF .75 HBW HSW VSW FHDP CR-BP
Approved by Signature:	Date: 7-19-96 Revised: 10-12-16
Rep.:	Quote No.:

PRAXIS INDUSTRIES, INC.
 ROUTE 1, BOX 46D - SAVANNAH, TN 38372
 1 (800) 443-7269 - FAX (901) 925-4290