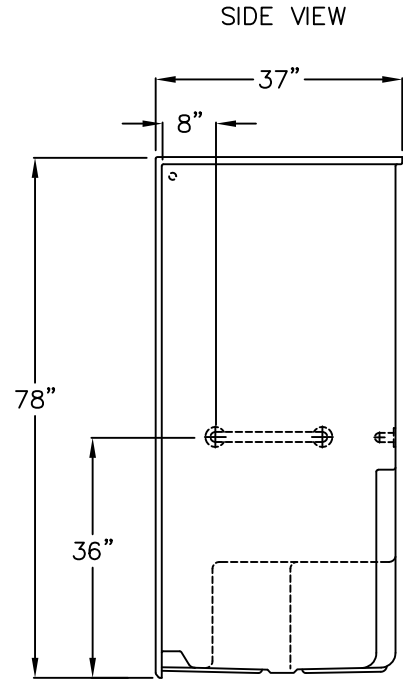
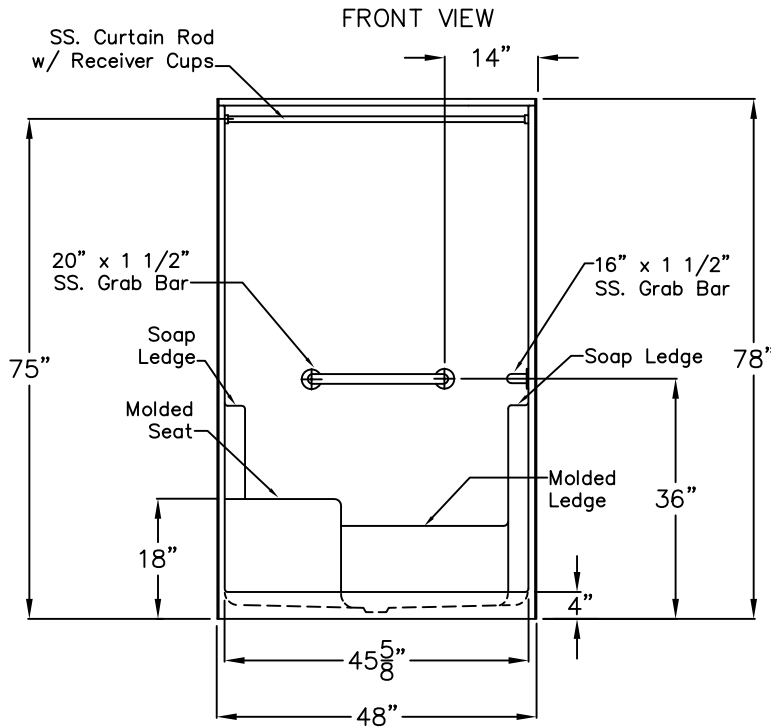


# Special Needs Series

## SUBMITTAL DATA



### Accessible Shower Stall

The shower enclosure shall be Aquarius model G 4837 BF 1S right or left. Finished surface shall be of a sanitary grade applied acrylic. The base shall be attached to the sump of the unit in such a manner to form an integral part with an inner and outer coating of polyester resin.

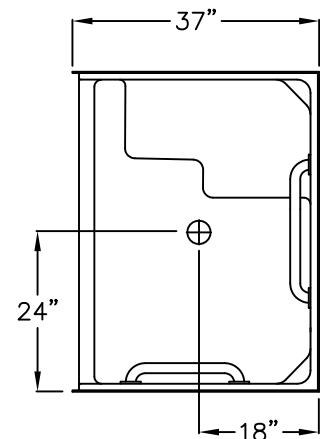
The unit shall have outside dimensions of 48" x 37" x 78". Unit complies with UPC, CSA B45.5, HUD-UM73, ANSI Z124.1.2 and Home Innovation Research Lab.

The enclosure shall be equipped with the following installed accessories:

- 1) One 20" x 1 1/2" diameter stainless steel grab bar horizontal on the back wall,
- 2) One 16" x 1 1/2" diameter stainless steel grab bar horizontal on the valve side wall, both with 1 1/2" statute clearance, mounted from the rear with stainless steel bolts, and 3" x 3" x 11 gauge metal mounting plates,
- 3) One inch diameter stainless steel curtain rod with receiver cups,
- 4) Molded seat,
- 5) Molded ledges,
- 6) 4.0" Threshold.

Available Options: 7) vertical grab bar, 8) recessed soap dish, 9) Nurses call box drilling, 10) Valve package with hand shower.

### TOP VIEW



DUE TO THE NATURE OF THE MATERIALS  
DIMENSIONS MAY VARY ± 1/2"

Job Name:

**AQUARIUS**

Approved By Print Name:

Drawing#: G4837 SH 1S 4.0 MS HBW  
HSW CR

Approved By Signature:

Date:

Date: 4-18-98

Revised: 10-13-16

Rep.:

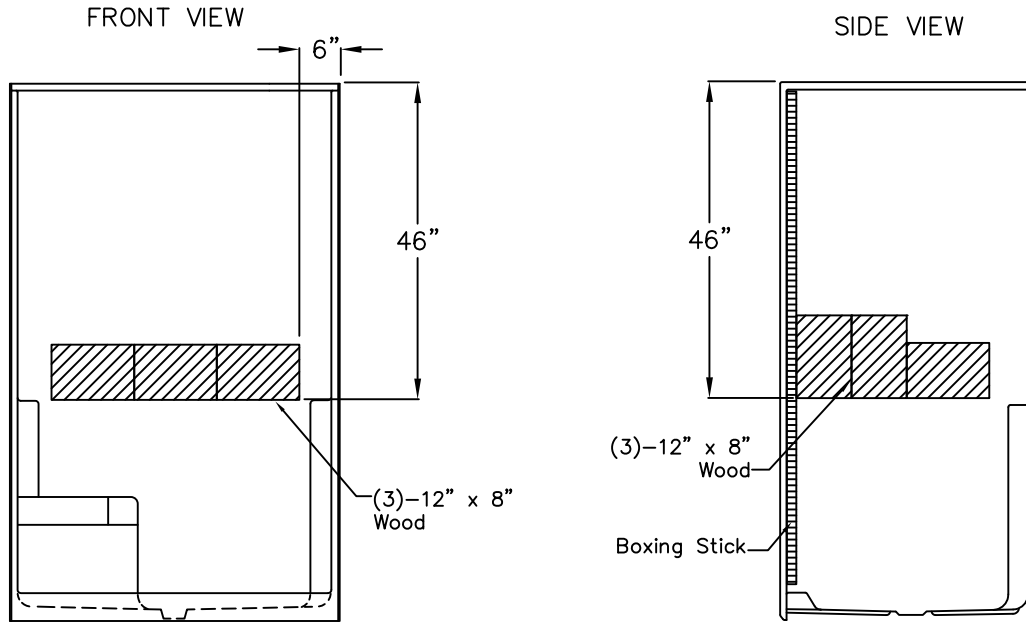
Wholesaler:

Quote No.:

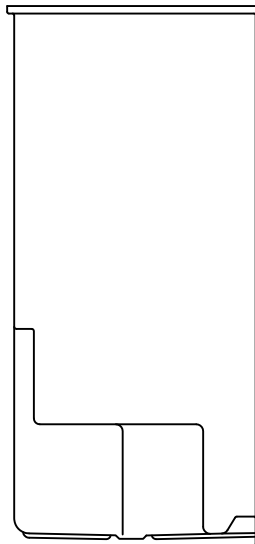
PRAXIS INDUSTRIES, LLC.  
435 INDUSTRIAL RD - SAVANNAH, TN 38372  
1 (800) 443-7269 - FAX (731) 925-7656

# Board Placement

## SUBMITTAL DATA



SEAT SIDE VIEW



Job Name:	<b>AQUARIUS</b>
Approved by Print Name:	Drawing#: G4837 SH 1S 4.0 MS HBW HSW CR-BP
Approved by Signature: _____	Date: 6-9-00 <span style="float: right;">Revised: 10-13-16</span>
Rep.: _____	Quote No.: _____

**PRAXIS INDUSTRIES, LLC.**  
 435 INDUSTRIAL RD - SAVANNAH, TN 38372  
 1 (800) 443-7269 - FAX (731) 925-4290