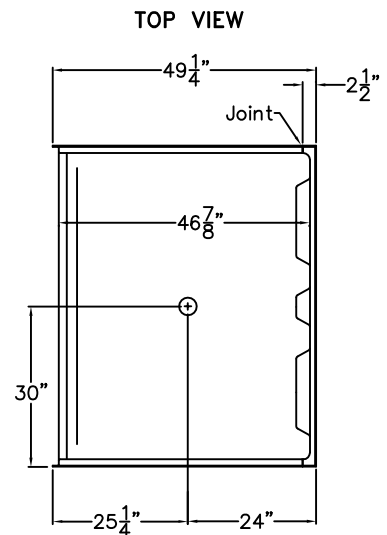
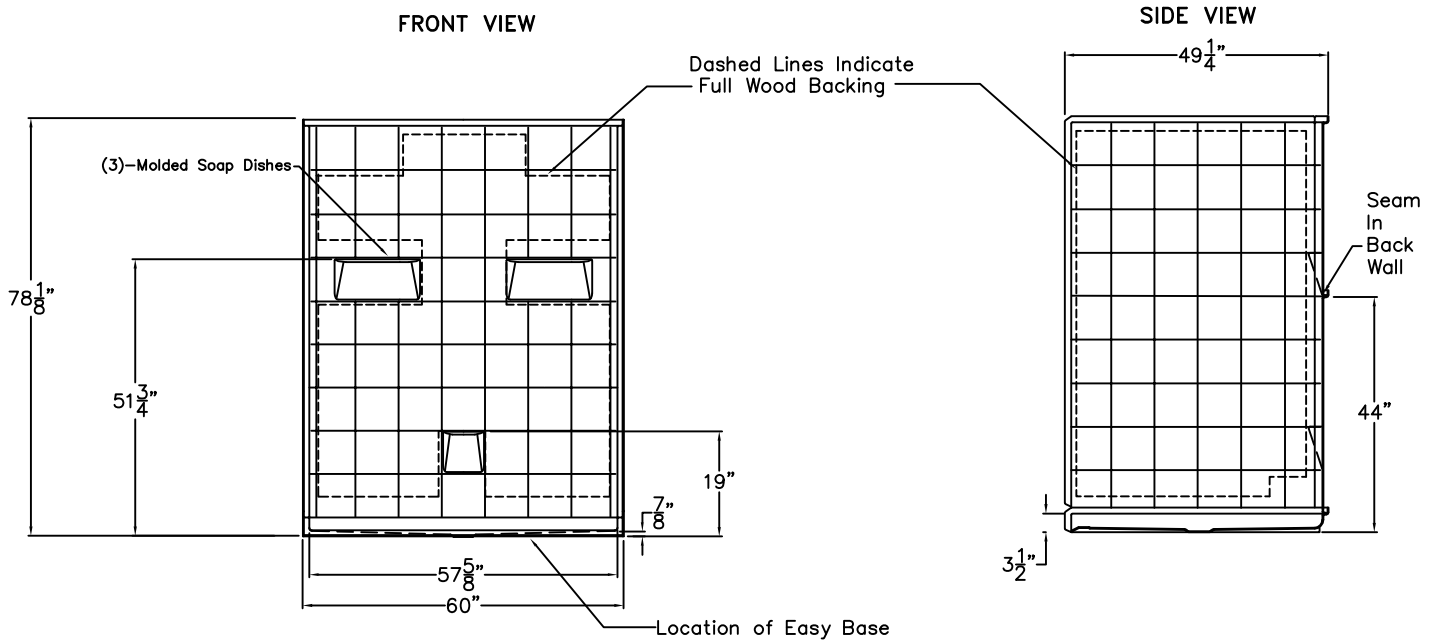


# Comfort Series

## SUBMITTAL DATA



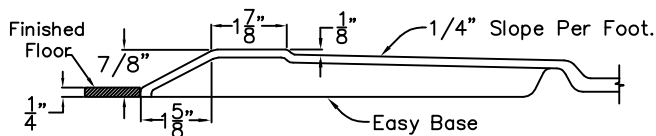
### Sectional Shower

This shower enclosure shall be Aquarius Model MP 6048 BF 5P .875 center drain location. Finished surface shall be of sanitary-grade applied acrylic. The unit shall have outside dimensions of 60" x 49 1/4" x 78 1/8". The unit shall meet IAPMO Z124-2011, and CSA B45.5-11.

The enclosure shall be equipped with the following factory installed accessories:

- 1) Molded soap ledges,
- 2) Molded lower ledge on back wall,
- 3) Tile finish,
- 4) Five piece sectional design,
- 5) Full wood backing on all walls,
- 6) Factory installed Easy Base self sustaining bottom,
- 7) Center drain location,
- 8) 7/8" threshold.

### Detail of 7/8" Threshold



DUE TO THE NATURE OF THE MATERIALS INVOLVED  
UNIT DIMENSIONS MAY VARY ± 1/2 INCH

Job Name:

**AQUARIUS**

Approved By Print Name:

Drawing#: MP 6048 BF 5P .875 FWB  
Easy Base

Approved By Signature:

Date:

Date: 8-31-10

Revised: 11-14-16

Rep.:

Wholesaler:

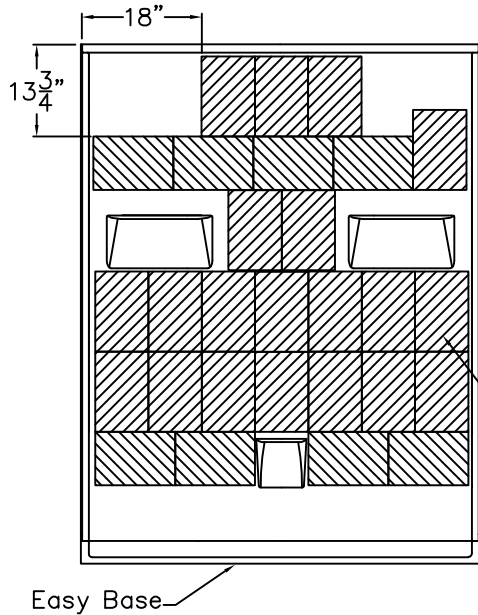
Quote No.

RENOVATIVE BATH SYSTEMS  
Richmond Va.  
1 800 441 8673

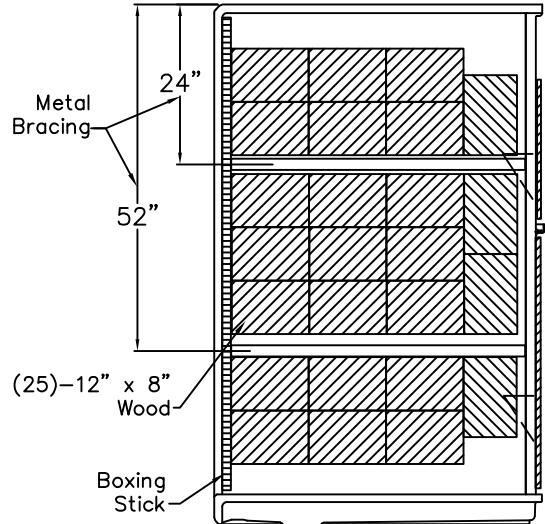
# Board Placement Drawing

## SUBMITTAL DATA

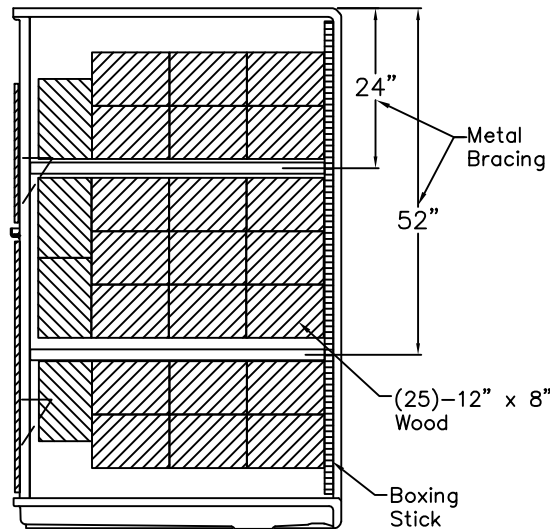
FRONT VIEW



SIDE VIEW



SIDE VIEW



DUE TO THE NATURE OF THE MATERIALS INVOLVED  
UNIT DIMENSIONS MAY VARY ± 1/2 INCH

Job Name:	AQUARIUS	
Approved by Print Name:	Drawing#: MP 6048 BF 5P .875 FWB Easy Base-BP	
Approved by Signature:	Date:	Date: 12-21-09      Revised: 11-14-16
Rep.:	Wholesaler:	Quote No.:

RENOVATIVE BATH SYSTEMS  
Richmond Va.  
1 800 441 8673