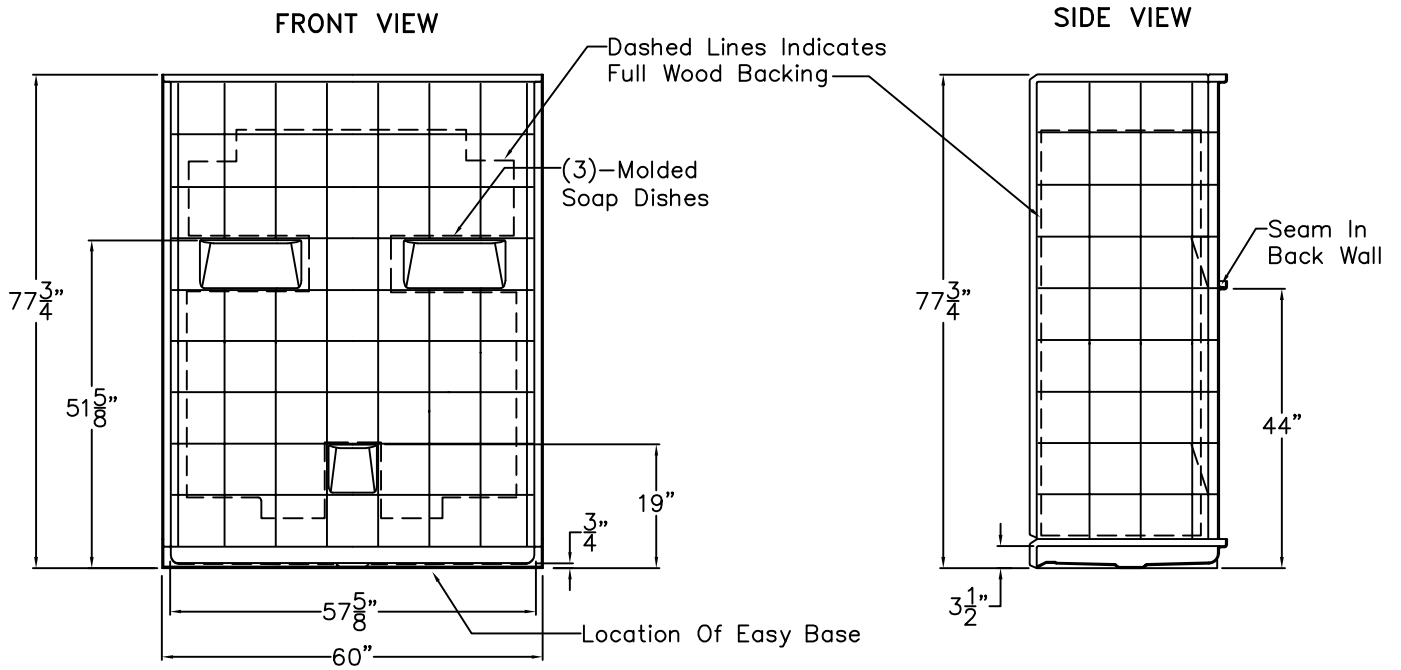


Comfort Series

SUBMITTAL DATA © 2002

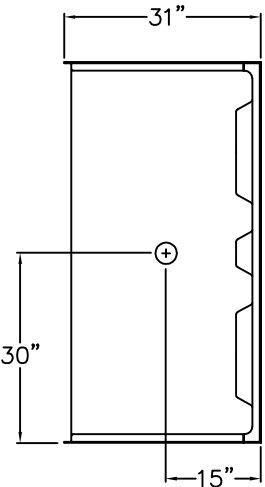
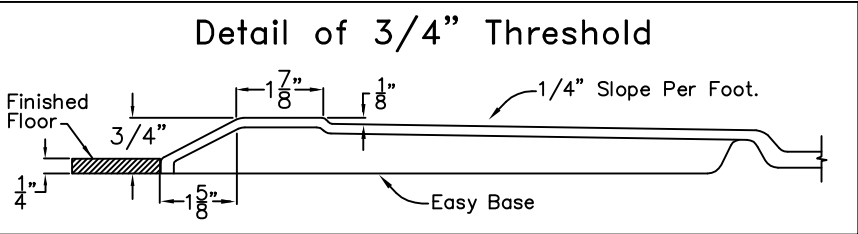


Sectional Shower

This shower enclosure shall be Aquarius Model MP 6030 BF 5P .75 center drain. Finished surface shall be of sanitary-grade applied acrylic. The unit shall have outside dimensions of 60" x 31" x 77 3/4". The unit shall meet IAPMO Z124-2011, and CSA B45.5-11.

The enclosure shall be equipped with the following factory installed accessories:

- 1) Molded soap ledges,
- 2) Molded lower ledge on back wall,
- 2) Tile finish,
- 3) Five piece sectional design,
- 4) Full wood backing on all walls,
- 5) Factory installed Easy Base self sustaining bottom,
- 6) Center drain location,
- 7) 3/4" threshold.



DUE TO THE NATURE OF THE MATERIALS INVOLVED
UNIT DIMENSIONS MAY VARY ± 1/2 INCH

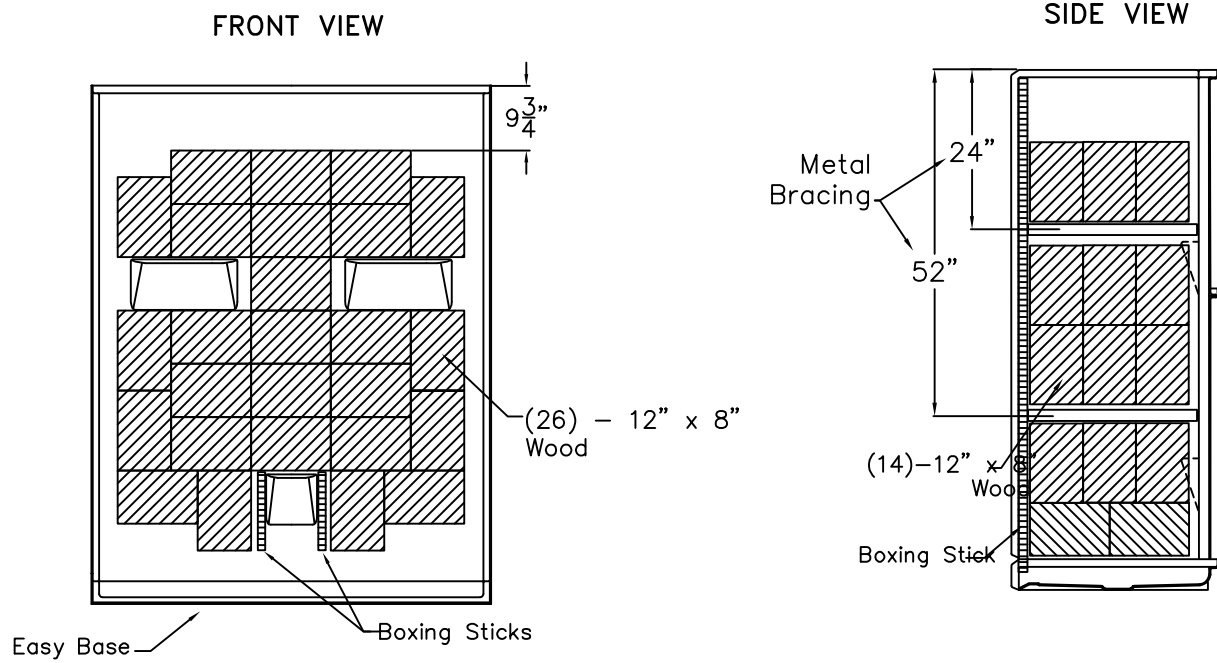
Approved by Print Name:		Drawing#: MP 6030 BF 5P .75 C	
Approved by Signature:	Date:	Date: 3-31-09	Revised: 10-19-16
Rep.:	Wholesaler:	Quote No.	

PRAXIS INDUSTRIES, INC.
ROUTE 1, BOX 46D - SAVANNAH, TN 38372
1 (800) 443-7269 - FAX (901) 925-4290

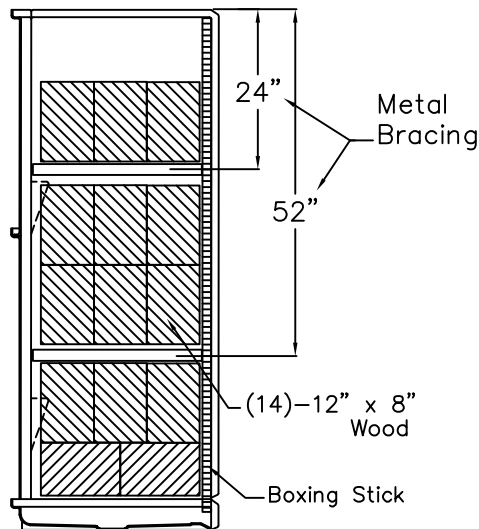
Recyclable Paper

Board Placement Drawing

SUBMITTAL DATA



SIDE VIEW



DUE TO THE NATURE OF THE MATERIALS INVOLVED
UNIT DIMENSIONS MAY VARY ± 1/2 INCH

Job Name:	PRAXIS
Approved by Print Name:	Drawing#: MP 6030 BF 5P .75 C-BP
Approved by Signature:	Date: 3-31-09 Revised: 10-19-16
Rep.:	Quote No.:
Wholesaler:	

PRAXIS INDUSTRIES, INC.
ROUTE 1, BOX 46D - SAVANNAH, TN 38372
1 (800) 443-7269 - FAX (901) 925-4290