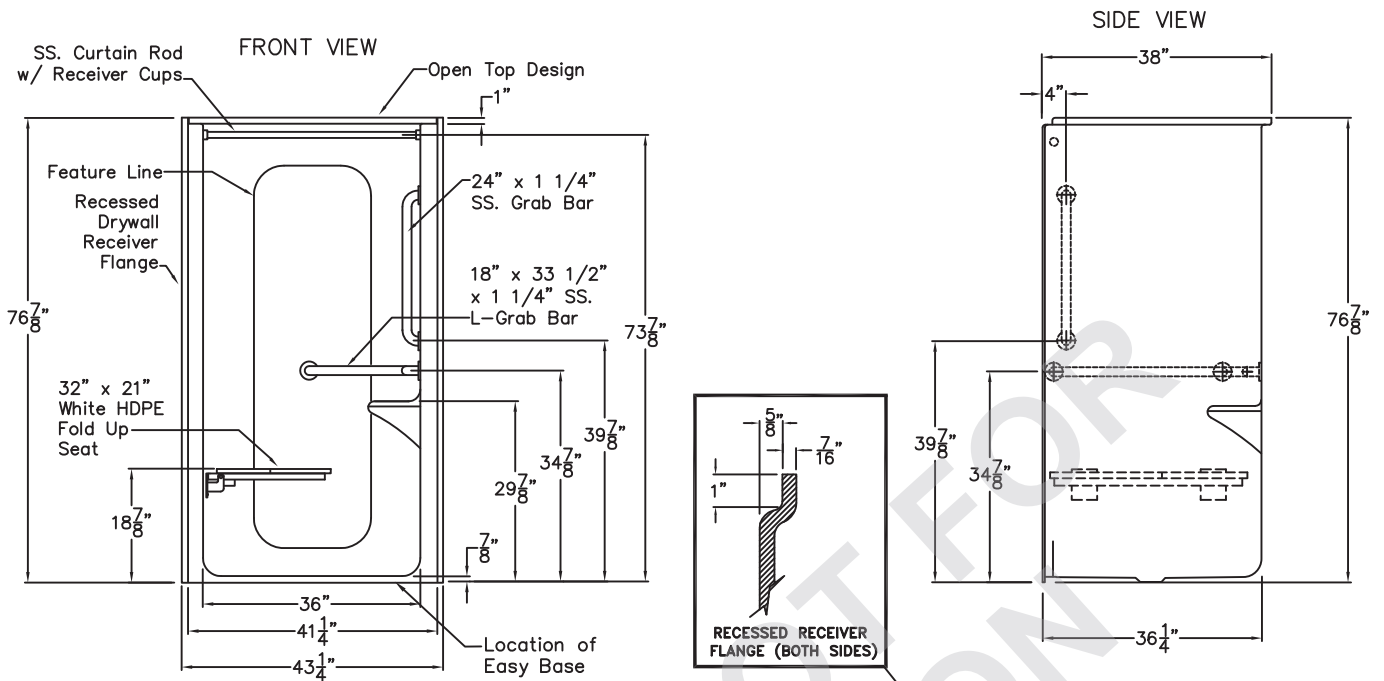


Special Needs Series

SUBMITTAL DATA



Acrylic Accessible Shower

This enclosure shall be model S 4136 BF OT. Finished surface shall be of sanitary-grade cast acrylic. The unit shall have inside dimensions of 36" x 36" x 75" and outside dimensions of 43 1/4" x 38" x 76 7/8". The shower shall meet ANSI Z124.1.2, ADA, TAS, and ICC/ANSI A117.1.

The enclosure shall be equipped with the following accessories:

- 1) One 18" x 33 1/2" x 1 1/4" diameter stainless steel horizontal L-grab bar,
- 2) One 24" x 1 1/4" diameter stainless steel vertical grab bar on the valve wall, both with 1 1/2" statute clearance, mounted with stainless steel bolts, and secured from the rear with 3" x 3" x 1/16" gauge metal mounting plates,
- 3) 32" x 21" frameless white HDPE fold up seat,
- 4) Molded corner shelf,
- 5) Smooth back wall with no diamond pattern,
- 6) One inch diameter, 18 gauge stainless steel curtain rod with receiver cups,
- 7) Recessed receiver flange along both sides,
- 8) Armor Core Easy Base,
- 9) 7/8" threshold.

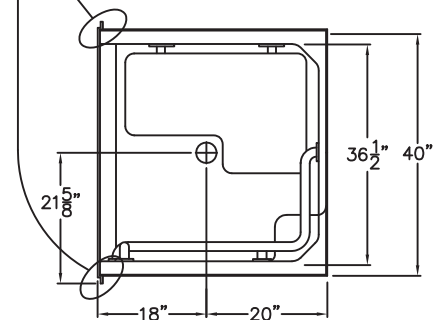
Available options: 10) Valve package, 11) Recessed soap dish, 12) Molded seat, 13) Green anti-bacterial shower curtain with hooks, 14) white weighted shower curtain with hooks.

THIS UNIT FEATURES THE OUTSIDE DIMENSIONS OF 39" OF OVERALL WIDTH. THIS DOES NOT ALLOW FOR FULL ENCLOSURE OF THE BOLTS THAT ARE USED TO SECURE THE BARS AND SEAT IN PLACE. THE BOLT AND NUT COMBINATION SHOULD NOT PROTRUDE ANY MORE THAN 3/4" ON EITHER SIDE OF THE SHOWER WALLS. THIS MAY REQUIRE THE NEED TO NOTCH STUDS TO ALLOW BOLT CLEARANCE FOR INSTALLATION.

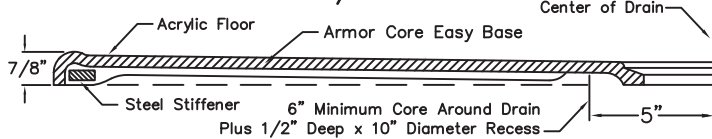
FOR A DRY WALL ENCLOSED FIRE WALL INSTALLATION, ADJUSTMENT OF THE WALLBOARD MAY BE NECESSARY TO PROVIDE CLEARANCE OF THE BOLT (S) WHILE MAINTAINING THE INTEGRITY OF THE DRYWALL ENCLOSED FIRE WALL ENCLOSURE.

NOTE: THIS UNIT WILL NOT ACCEPT A DOOR!

TOP VIEW



Detail of 7/8" Threshold



DUE TO THE NATURE OF THE MATERIALS INVOLVED, UNIT DIMENSIONS MAY VARY ± 1/2 INCH.

AQUARIUS

Approved by Print Name:

Drawing#: S 4136 BF OT .875 SLB VB FHDP
CR RRF Easy Base Smooth TAS

Approved by Signature:

Date:

Date: 7-17-96

Revised: 7-3-19

Rep.:

Wholesaler:

Quote No.:

PRAXIS INDUSTRIES, LLC.
435 INDUSTRIAL RD - SAVANNAH, TN 38372
1 (800) 443-7269 - FAX (731) 925-4290