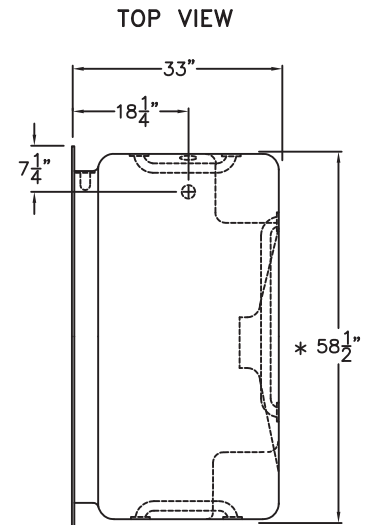
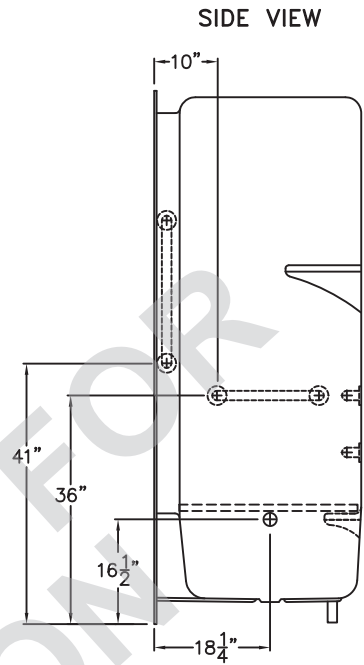
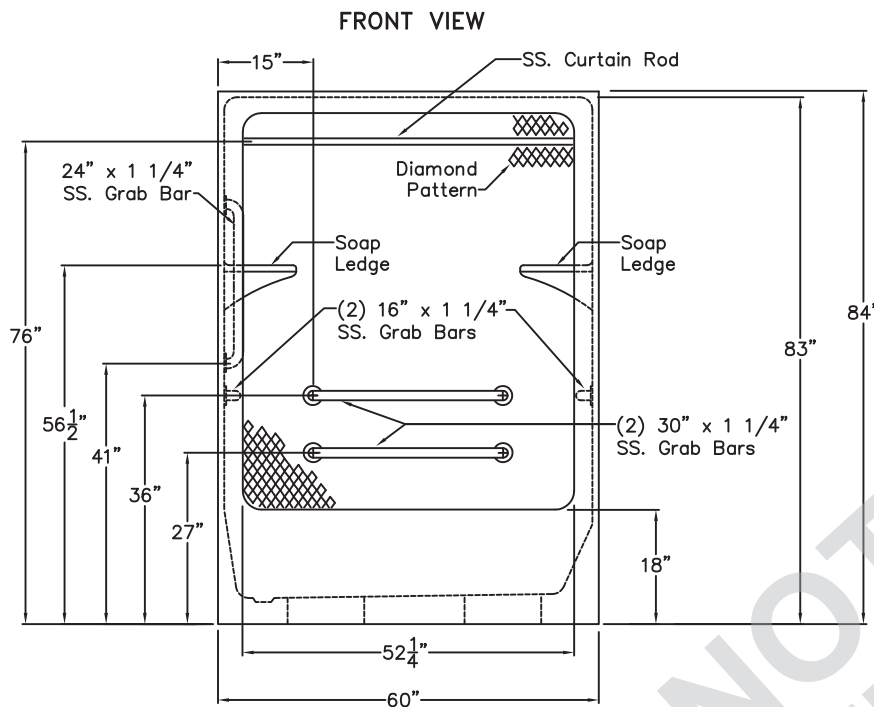


# Special Needs Series

## SUBMITTAL DATA



\* NOTE: THIS DIMENSION IS NOT TO SCALE. THIS DIMENSION INCLUDES ALL WOOD AND HARDWARE REQUIRED FOR ASSEMBLY.

DUE TO THE NATURE OF THE MATERIALS DIMENSIONS MAY VARY ± 1/2"

### Acrylic Tub Shower

This enclosure shall be model H 6032 TS. Finished surface shall be of a sanitary-grade cast acrylic. The unit shall have outside dimensions of 60" x 33" x 84". The one piece tub shower shall meet ANSI Z124.1.2 and CSA B45.5.

The enclosure shall be equipped with the following accessories:

- 1) Cast acrylic finish,
- 2) End drain location,
- 3) Molded soap ledge low on the back wall,
- 4) Molded corner soap ledges,
- 5) Two 30" x 1 1/4" diameter stainless steel grab bars horizontal on the back wall,
- 6) Two 16" x 1 1/4" diameter stainless steel grab bars, one horizontal on each side wall,
- 7) One 24" x 1 1/4" diameter stainless steel grab bar vertical on the valve wall, all with 1 1/2" statute clearance, secured from the rear with stainless steel bolts, and 3" x 3" x 11 gauge metal mounting plates,
- 8) One inch diameter stainless steel curtain rod,
- 9) Diamond pattern on the back wall,
- 10) Slip resistant bottom,
- 11) 18" Apron/skirt.

ROUGH-IN DIMENSIONS: 60" x 34" x 84"

<b>Job Name:</b>	<b>AQUARIUS</b>
<b>Approved by Print Name:</b>	<b>Drawing#: H 6032 TS Package One</b>
<b>Approved by Signature:</b>	<b>Date: 7-19-96</b> <span style="float: right;"><b>Revised: 10-8-19</b></span>
<b>Rep.:</b>	<b>Wholesaler:</b> <span style="float: right;"><b>Quote No.:</b></span>

PRAXIS INDUSTRIES, INC.  
 435 INDUSTRIAL RD, SAVANNAH, TN 38372  
 1 (800) 443-7269 – FAX (901) 925-4290