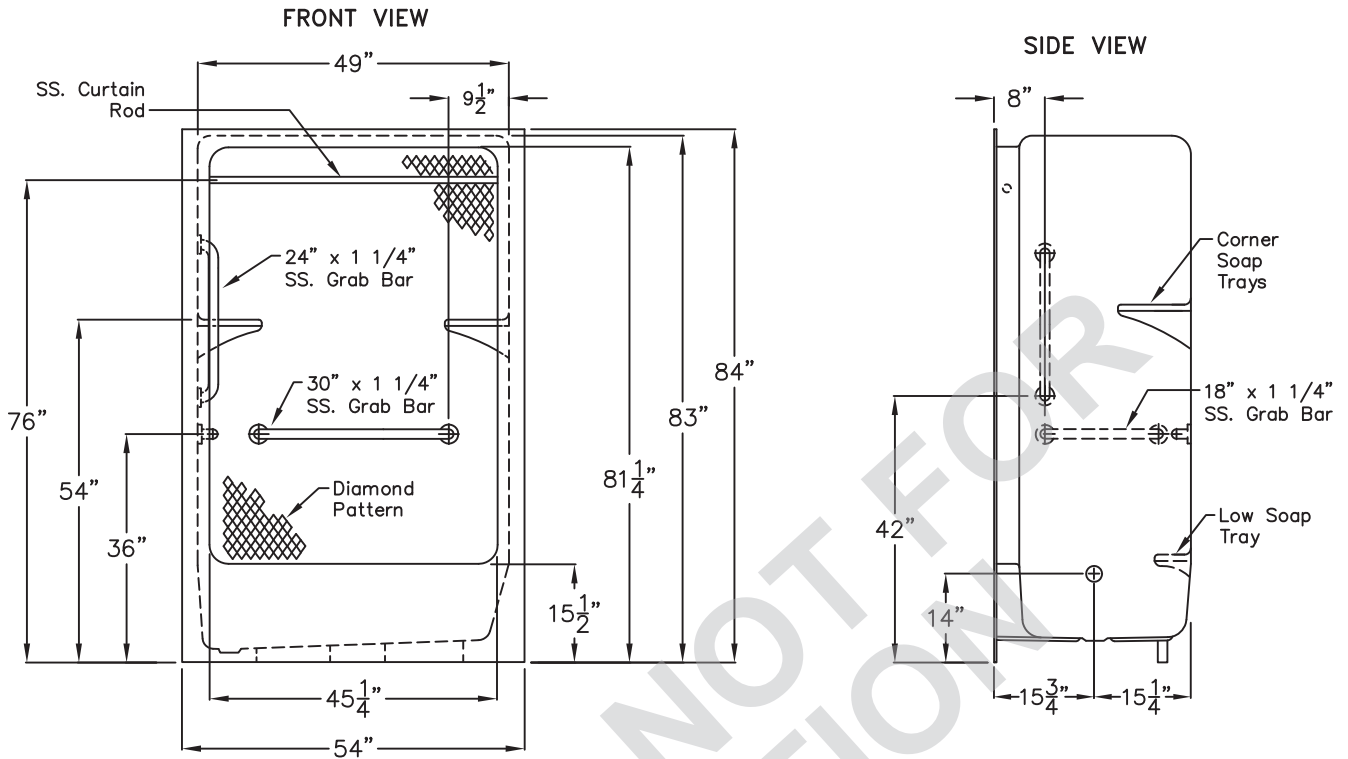


Special Needs Series

SUBMITTAL DATA



Acrylic Tub Shower

This enclosure shall be model H 5431 TS. Finished surface shall be of a sanitary-grade cast acrylic. The unit shall have outside dimensions of 54" x 31" x 84". The one piece tub shower shall meet ANSI Z124.1.2, and CSA B45.5.

The enclosure shall be equipped with the following accessories:

- 1) Cast acrylic finish,
- 2) End drain location,
- 3) Molded soap ledge low on the back wall,
- 4) Molded corner soap ledges,
- 5) One 30" x 1 1/4" diameter stainless steel grab bar horizontal on the back wall,
- 6) One 18" x 1 1/4" diameter stainless steel grab bar horizontal on the valve wall,
- 7) One 24" x 1 1/4" diameter stainless steel grab bar vertical on the valve wall, all with 1 1/2" statute clearance, secured from the rear with stainless steel bolts, and 3" x 3" x 11 gauge metal mounting plates,
- 8) One inch diameter stainless steel curtain rod,
- 9) Diamond pattern on the back wall,
- 10) Slip resistant bottom,
- 11) 15 1/2" Apron/skirt.

ROUGH-IN DIMENSIONS: 52" x 32" x 84"

* NOTE: THIS DIMENSION IS NOT TO SCALE. THIS DIMENSION INCLUDES NUTS/BOLTS, WOOD AND HARDWARE REQUIRED FOR ASSEMBLY.

DUE TO THE NATURE OF THE MATERIALS DIMENSIONS MAY VARY ± 1/2"

Job Name:		AQUARIUS	
Approved By Print Name:		Drawing#: H5431 TS Package 1	
Approved By Signature:	Date Approved:	Date: 7-19-96	Revised: 10-8-19
Rep.:	Wholesaler:	Quote No.:	

PRAXIS INDUSTRIES, LLC.
 435 INDUSTRIAL RD - SAVANNAH, TN 38372
 1 (800) 443-7269 - FAX (731) 925-4290