

# Multi-piece Showers

**MPB 6030 BF 1.0 L/R**



Barrier Free  
Threshold



Solid Surface  
Finish



Gelcoat  
Finish

OUTER DIMENSION	60" x 31" x 4.5"
THRESHOLD	1.0" COL*
DRAIN	Left or Right
HANDED	Drain
SHIPPING WEIGHT	56
LOAD FACTOR	0.21
TRUCK LOAD FACTOR	0.21

## NOTES

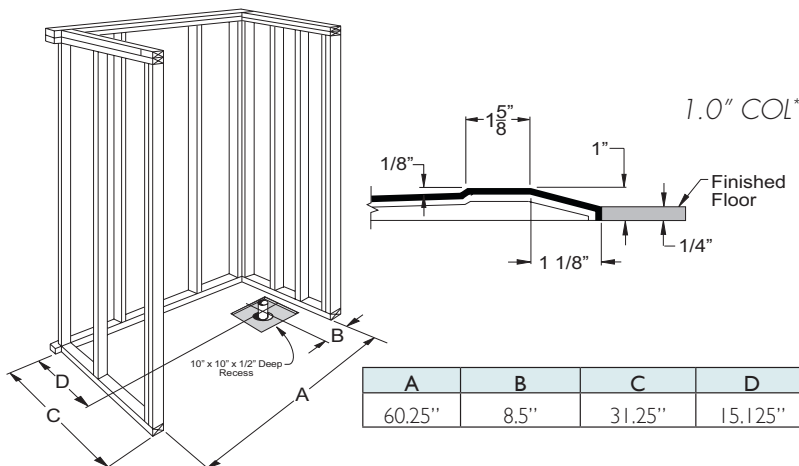
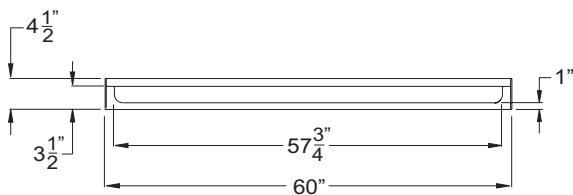
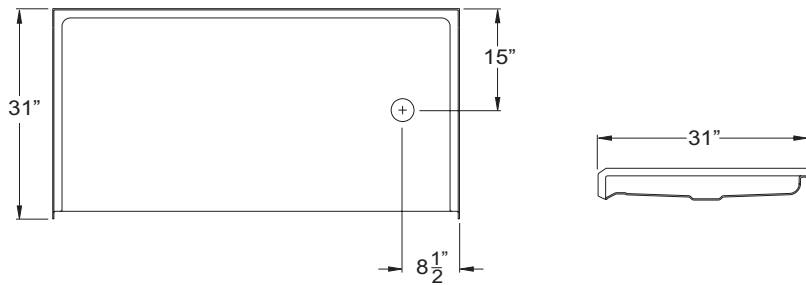
\*COL Change of level threshold has a manageable 0.25" vertical rise to easily coordinate with minimum finished flooring.

**CODES** code compliant with IPC, UPC, and ANSI Z 124.2 only.

**EasyBase™** Self-supporting and pre-levelled shower base, EasyBase™, is standard on all barrier free shower bases. EasyBase™ is not offered on EasyStep™ models.

**RAPID SHIP** All shower bases are in stock for rapid shipment - ships in four business days.

**WARRANTY** All shower bases are offered with an unprecedented thirty year limited warranty.



A	B	C	D
60.25"	8.5"	31.25"	15.125"



Empowering People Of All Ages & Abilities  
The Praxis Companies, LLC | Praxis Makes Perfect  
800.443.7269 | praxiscompanies.com