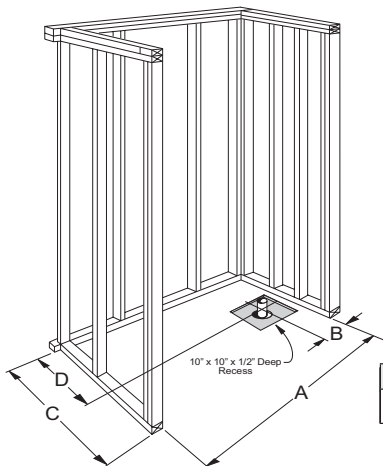
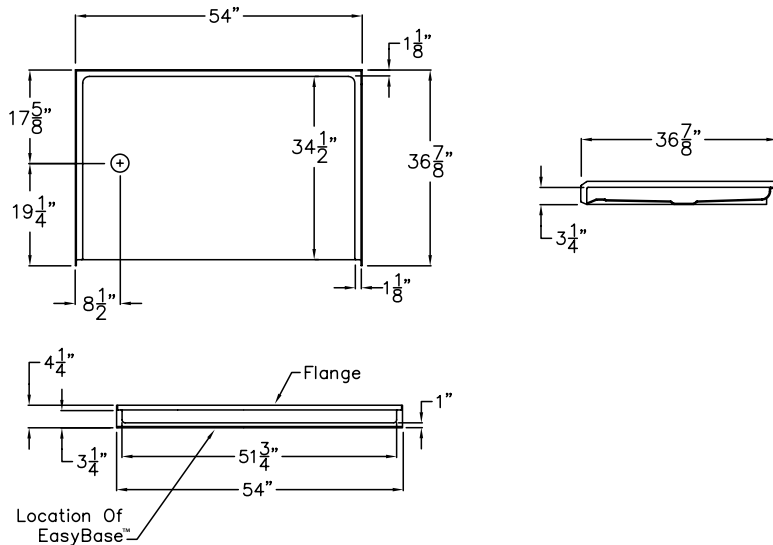
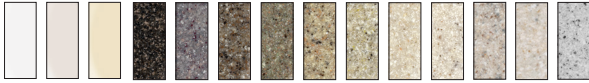


SAFE. ACCESSIBLE.
BATHING SOLUTIONS.

UPGRADE to solid surface



A	B	C	D
54.25"	8.5625"	36.875"	17.625"

Due to the nature of the materials, dimensions may vary +/- 0.5".

MyPlace™ AcrylX™ shower bases

MPB 5436 BF 1.0 L R

OUTER DIMENSION	54" x 36.875" x 4.25"
THRESHOLD	1.0"
DRAIN	Left or Right
HANDED	Drain
SHIPPING WEIGHT	58
LOAD FACTOR	0.4
TRUCK LOAD FACTOR	0.4



Barrier Free
Threshold



Solid Surface
Finish



AcrylX™
Finish

NOTES

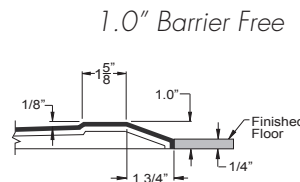
*COL Change of level threshold has a manageable 0.25" vertical rise to easily coordinate with minimum finished flooring.

CODES code compliant with IPC, UPC, and ANSI Z 124.2 only.

EasyBase™ Self-supporting and pre-levelled shower base, EasyBase™, is standard on all barrier free shower bases. EasyBase™ is not offered on EasyStep™ models.

RAPID SHIP All shower bases are in stock for rapid shipment - ships in four business days.

WARRANTY All shower bases are offered with an unprecedented thirty year limited warranty.



THE PRAXIS COMPANIES | praxiscompanies.com
customer service 800.443.7269