

# Multi-piece Showers

**MPB 3838 BF .5 C**



Barrier Free  
Threshold



Solid Surface  
Finish



Gelcoat  
Finish



ADA  
Compliant

OUTER DIMENSION	38.625" x 38.4375" x 4.5"
THRESHOLD	0.5" Barrier Free
DRAIN	Center
HANDED	Drain
SHIPPING WEIGHT	45
LOAD FACTOR	0.21
TRUCK LOAD FACTOR	0.21

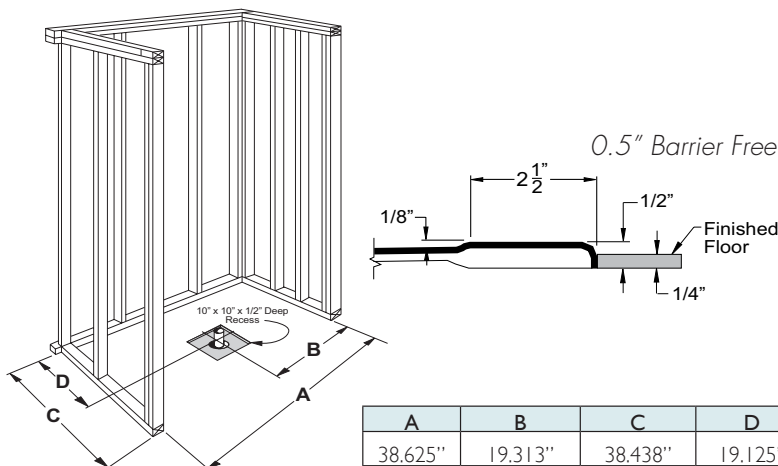
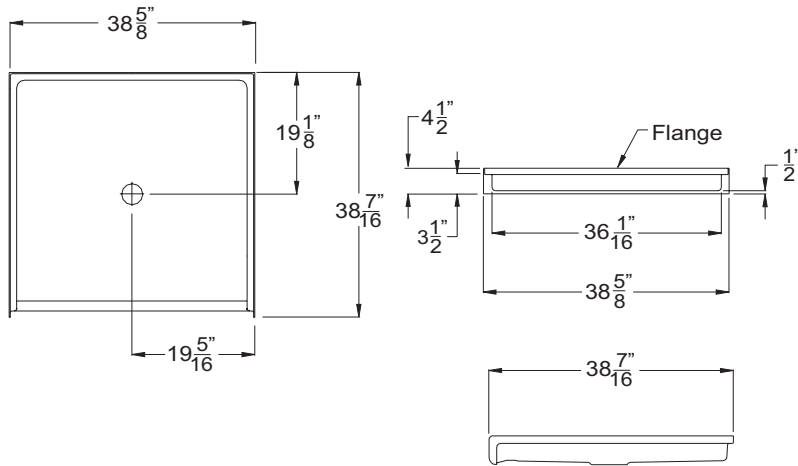
## NOTES

**CODES** code compliant with ADA, ICC ANSI 117.1, MAS and TAS only.

**EasyBase™** Self-supporting and pre-levelled shower base, EasyBase™, is standard on all barrier free shower bases. EasyBase™ is not offered on EasyStep™ models.

**RAPID SHIP** All shower bases are in stock for rapid shipment - ships in four business days.

**WARRANTY** All shower bases are offered with an unprecedented thirty year limited warranty.



Empowering People Of All Ages & Abilities  
The Praxis Companies, LLC | Praxis Makes Perfect  
800.443.7269 | praxiscompanies.com