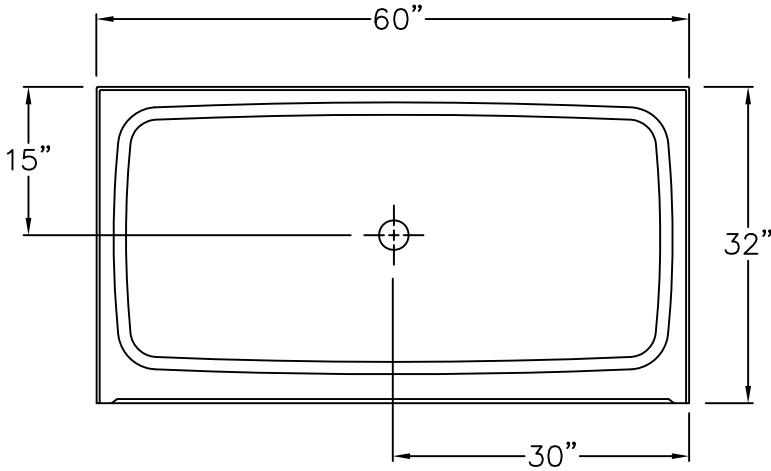


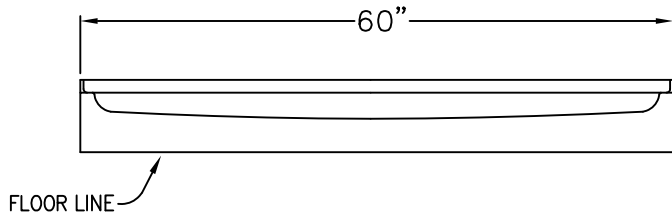
# LUXURY ACRYLIC SERIES

## SUBMITTAL DATA

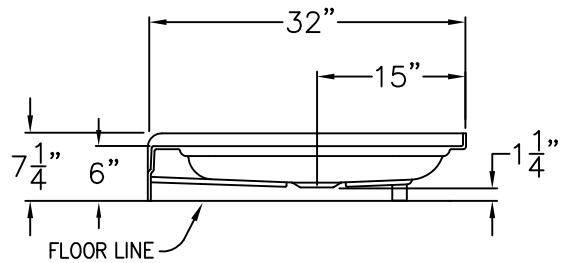
TOP VIEW



FRONT VIEW



SIDE VIEW



AB 6032 CAST ACRYLIC SHOWER PAN, CENTER DRAIN. UNIT MEASURES 60" x 32" x 7 1/4"  
 WITH A THRESHOLD HEIGHT OF 6".  
 AVAILABLE IN RIGHT, LEFT OR CENTER DRAIN LOCATION.

DUE TO THE NATURE OF THE MATERIALS  
 DIMENSIONS MAY VARY ± 1/2"

|                         |                |                                 |                 |
|-------------------------|----------------|---------------------------------|-----------------|
| Job Name:               |                | <b>PRAXIS</b>                   |                 |
| Approved By Print Name: |                | Drawing#: AB 6032 C Acrylic Pan |                 |
| Approved By Signature:  | Date Approved: | Date: 5-1-08                    | Revised: 4-3-17 |
| Rep.:                   | Wholesaler:    | Quote No.:                      |                 |

PRAXIS INDUSTRIES, INC.  
 ROUTE 1, BOX 46D - SAVANNAH, TN 38372  
 1 (800) 443-7269 - FAX (901) 925-4290