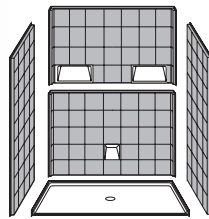


Multi-piece Showers

MP 6033 BF 5P .75 C



Barrier Free
Threshold



Gelcoat
Finish

OUTER DIMENSION	60" x 33.375" x 77.75"
ENCLOSURE (up to)	57.625" x 72.75"
THRESHOLD	0.75" COL*
DRAIN	Center
HANDED	Drain
SHIPPING WEIGHT	437
LOAD FACTOR	2.4
TRUCK LOAD FACTOR	0.64

NOTES

*COL Change of level threshold has a manageable 0.25" vertical rise to easily coordinate with minimum finished flooring.

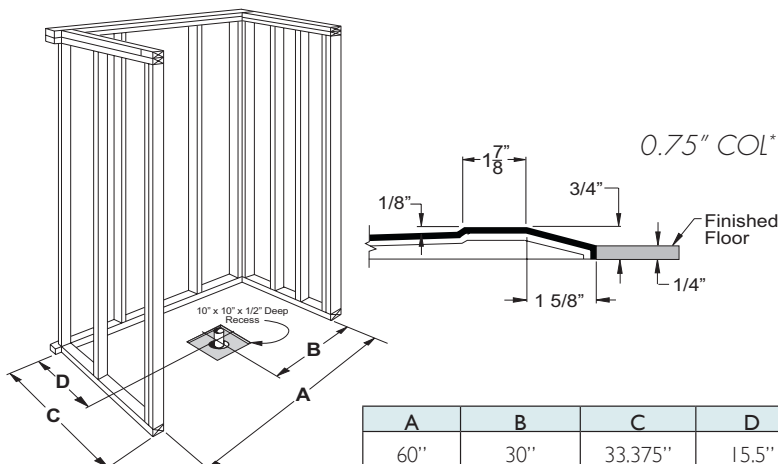
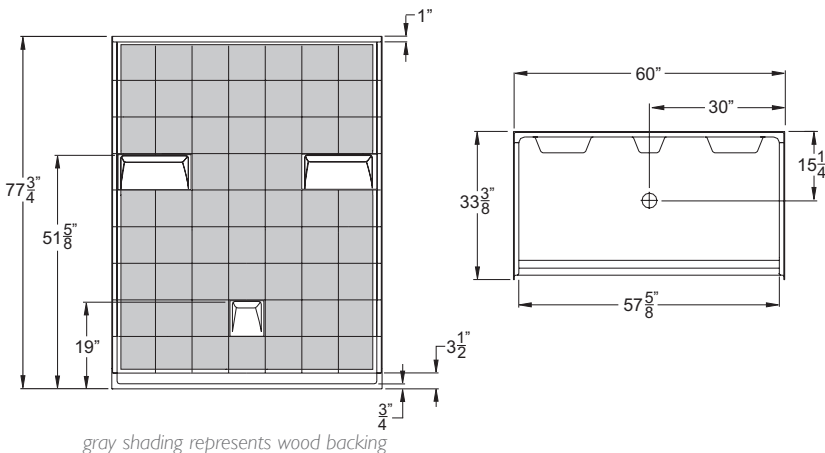
CODES IPC, UPC, ANSI Z 124.2 NAHB, HUD and FHA.

EasyBase™ Self-supporting and pre-levelled shower base, EasyBase™, is standard on all barrier free multi-piece showers. EasyBase™ is not offered on EasyStep™ models.

WOOD BACKING All multi-piece showers are offered standard with plywood reinforced walls.

RAPID SHIP All multi-piece showers are in stock for rapid shipment - ships in four business days.

WARRANTY All multi-piece showers are offered with an unprecedented thirty year limited warranty.



Empowering People Of All Ages & Abilities
The Praxis Companies, LLC | Praxis Makes Perfect
800.443.7269 | praxiscompanies.com