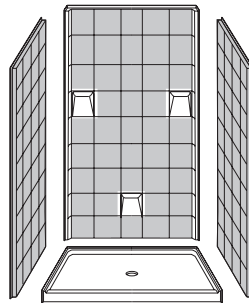


SAFE. ACCESSIBLE.
BATHING SOLUTIONS.

MyPlace™ AcrylX™ multi-piece showers

MP 4836 SH 4P 3.0 C



OUTER DIMENSION	48" x 37" x 79.5"
ENCLOSURE (up to)	45" x 74"
THRESHOLD	3" EasyStep™
DRAIN	Center
HANDED	Drain
SHIPPING WEIGHT	426
LOAD FACTOR	2.4
TRUCK LOAD FACTOR	0.75



EasyStep™
Threshold



AcrylX™
Finish

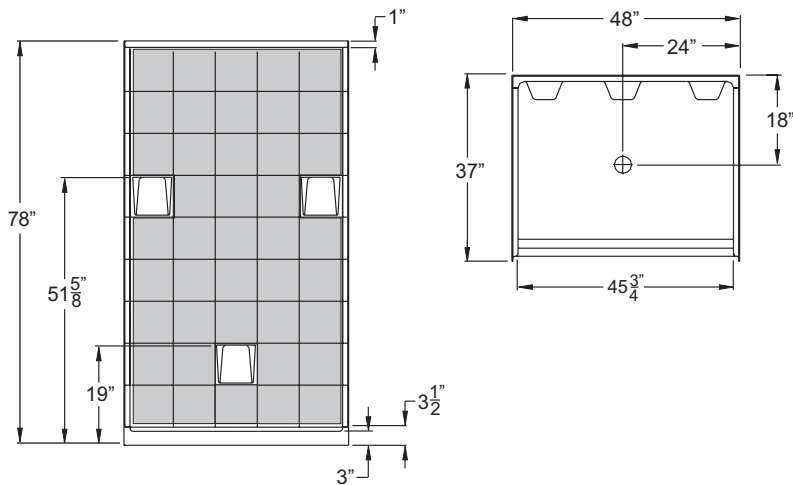
NOTES

CODES IPC, UPC, ANSI Z 124.2 NAHB, HUD and FHA.

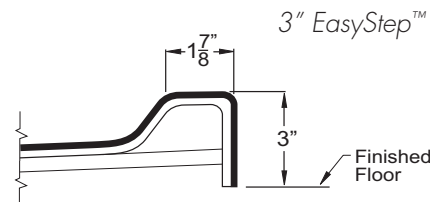
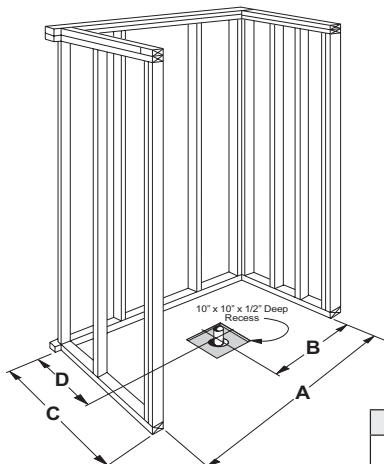
BACKING All multi-piece showers are offered standard with reinforced walls.

RAPID SHIP All multi-piece showers are in stock for rapid shipment - ships in four business days.

WARRANTY All multi-piece showers are offered with an unprecedented lifetime limited warranty.



gray shading represents wood backing



A	B	C	D
48.25"	24.125"	37.25"	18.125"

Due to the nature of the materials, dimensions may vary +/- 0.5".



THE PRAXIS COMPANIES | praxiscompanies.com
customer service 800.443.7269