



Accessible Showers

OPEN TOP GELCOAT OR SOLID SURFACE

AQUARIUS BATHWARE™

G 4897 BF

OD: 47.875" x 37" x 77.75"

Weight: 170

Load Factor: 1.06

Handed By: Center Drain or Valve Wall L/R

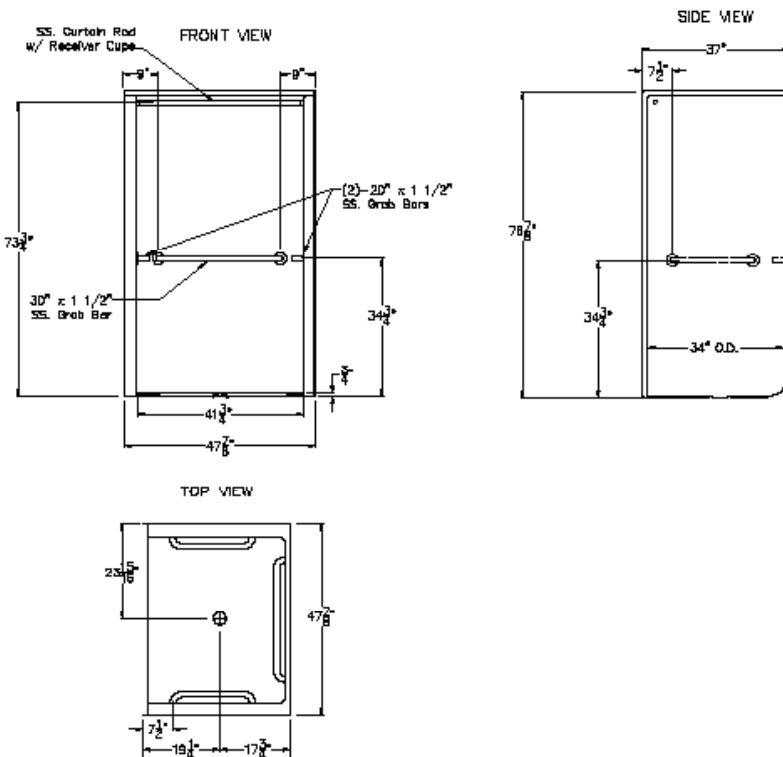


Photograph Illustrates Package One - Handed by Valve Wall Left

This unit complies with ANSI Z124.2, ASTM F462, ASTM E84, UPC, SBCCI, NAHB.

Warranty: Gelcoat models have a 3 year limited warranty. Acrylic models have a 5 year limited warranty. Pumps, parts, and accessories 1 year limited warranty. For further details please refer to the complete warranty section.

Due to the nature of the materials, dimensions may vary +/- 1/2".



A	B	C	D
48"	37"	17 3/4"	19 1/4"

• Refer to pages 67 & 68 to view corresponding framing detail.

PKG ONE - ACCESSIBLE: G 4897 BF

- .75" BF Threshold
- Mudsset
- Handed by Center Drain
- White Polyester Gelcoat Finish

Factory Installed Accessories (Valve not included):

- S-Bar - 20" x 1.5" Smooth SS
- S-Bar - 20" x 1.5" Smooth SS
- S-Bar - 30" x 1.5" Smooth SS
- 1" OD 18 Gauge SS Curtain Rod with Rod Cups

PKG TWO - ACCESSIBLE: G 4897 BF

- .75" BF Threshold
- Mudsset
- Handed by Valve Wall L/R
- White Polyester Gelcoat Finish

Factory Installed Accessories (Valve not included):

- S-Bar - 20" x 1.5" Smooth SS
- S-Bar - 20" x 1.5" Smooth SS
- 26" x 21" White Frameless HDPE Fold Up Seat
- 1" OD 18 Gauge SS Curtain Rod with Rod Cups

BUILD TO ORDER BASE PLUS ACCESSORIES

BASE UNIT 1: G 4897 BF

- Specify Threshold Height
- Mudsset
- Handed by Center Drain or Valve Wall L/R
- Reinforced for Standard Accessories

BASE UNIT OPTIONAL ACCESSORIES

Standard Finish - Polyester Gelcoat:

- White
- Bone
- Biscuit

Premium Finish - CenturyStone™ Solid Surface:

- Solid - White, Bone or Biscuit
- Natural - Granite Finishes

Grab Bars

- S-Bar - 20" x 1.5" Smooth SS
- S-Bar - 20" x 1.25" Smooth White CC
- S-Bar - 20" x 1.25" Peened SS
- S-Bar - 30" x 1.5" Smooth SS
- S-Bar - 30" x 1.25" Smooth White CC
- S-Bar - 30" x 1.25" Peened SS

Standard Seats

- 26" x 21" White Frameless HDPE Fold Up Seat
- 26" x 21" White Frameless Padded Fold Up Seat
- 26" x 21" Woodgrain Frameless Phenolic Seat

Factory Modifications

- Valve Drilling - Specify Hole Size
- Nurse Call Box Drilling - Specify Location
- Wood Reinforcement for HUD
- Full Wood Reinforcement
- ArmorShield P3 Protection
- Install 30" Slide Bar / HS Kit
- Install SS Soap Dish - Recessed
- Install Standard Symmons Valve Package
- 1" OD 18 Gauge SS Curtain Rod with Rod Cups
- 1" OD 18 Gauge White Curtain Rod with Rod Cups
- Curtain Rod U-Cup Holder - Pair

Field Installed Accessories (Shipped Loose)

- No Caulk Drain - Chrome
- Collapsible Dam White 46"
- Caps for Collapsible Dam - Pair
- Curtain - Premium 54" x 72" White Nylon Weighted
- Curtain - Heavy Duty 54" x 72" White Vinyl Weighted



HDPE (high density polyethylene) seats used by Praxis Companies, LLC contain recycled materials.