



Accessible Showers

OPEN TOP GELCOAT OR SOLID SURFACE

AQUARIUS BATHWARE™

G 4837 SH 1S

OD: 48" x 37" x 78"

Weight: 155

Load Factor: 1.06

Handed By: Seat L/R

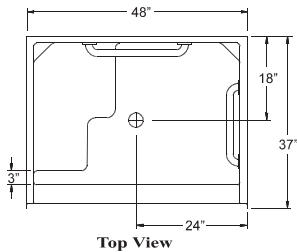
This unit complies with ANSI Z124.2, ASTM F462, ASTM E84, UPC, SBCCI, NAHB.

Warranty: Gelcoat models have a 3 year limited warranty. Acrylic models have a 5 year limited warranty. Pumps, parts, and accessories 1 year limited warranty. For further details please refer to the complete warranty section.

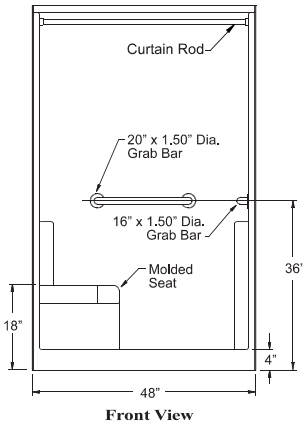
Due to the nature of the materials, dimensions may vary +/- 1/2".



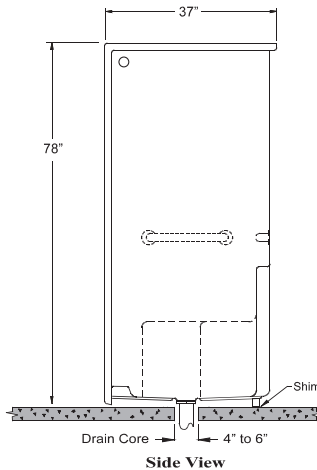
Photograph Illustrates Package One - Handed by Seat Left



Top View



Front View



Side View

FRAMING DIMENSIONS

A	B	C	D
48 1/4"	37"	18"	19"

Refer to pages 67 & 68 to view corresponding framing detail.

PKG ONE - ACCESSIBLE: G 4837 SH 1S

- 4" Threshold
- Handed by Seat L/R
- Shim
- White Polyester Gelcoat Finish

Factory Installed Accessories (Valve not included):

- S-Bar - 16" x 1.5" Smooth SS
- S-Bar - 20" x 1.5" Smooth SS
- Molded 18" H Seat
- 1" OD 18 Gauge SS Curtain Rod with Rod Cups

BUILD TO ORDER BASE PLUS ACCESSORIES

BASE UNIT 1: G 4837 SH 1S

- Specify Threshold Height
- Handed by Seat L/R
- Shim
- Reinforced for Standard Accessories

BASE UNIT OPTIONAL ACCESSORIES

Standard Finish - Polyester Gelcoat:

- White
- Bone
- Biscuit

Premium Finish - CenturyStone™ Solid Surface:

- Solid - White, Bone or Biscuit
- Natural - Granite Finishes

Grab Bars

- S-Bar - 16" x 1.5" Smooth SS
- S-Bar - 16" x 1.25" Smooth White CC
- S-Bar - 16" x 1.25" Peened SS
- S-Bar - 20" x 1.5" Smooth SS
- S-Bar - 20" x 1.25" Smooth White CC
- S-Bar - 20" x 1.25" Peened SS

Factory Modifications

- Valve Drilling - Specify Hole Size
- Nurse Call Box Drilling - Specify Location
- 3.25" Threshold
- Wood Reinforcement for HUD
- Full Wood Reinforcement
- ArmorShield P3 Protection
- Install 30" Slide Bar / HS Kit
- Install SS Soap Dish - Recessed
- Install Standard Symmons Valve Package
- 1" OD 18 Gauge SS Curtain Rod with Rod Cups
- 1" OD 18 Gauge White Curtain Rod with Rod Cups
- Curtain Rod U-Cup Holder - Pair

Field Installed Accessories (Shipped Loose)

- No Caulk Drain - Chrome
- Curtain - Premium 54" x 72" White Nylon Weighted
- Curtain - Heavy Duty 54" x 72" White Vinyl Weighted

rev. 100110



HDPE (high density polyethylene) seats used by Praxis Companies, LLC contain recycled materials.