

G 3682 BF RRF – CODE COMPLIANT TRANSFER SHOWER

inches

Interior: 36 x 36 x 80 ½

Exterior: 42 x 37 ½ x 82 ½



FEATURES

- Pre-leveled EasyBase™
- AcrylX™ applied acrylic surface
- ½ threshold
- Barrier free when properly installed
- Smooth wall
- Center drain
- Handed by valve wall
- Lifetime limited warranty (30 year commercial)

OPTIONS

- Grab bars
- Fold-up seat
- Hand-held shower assembly with slide bar
- Pressure balancing mixing valve
- Curtain rod and/or shower curtain

CODE COMPLIANCE

- ADA
- ICC/ANSI A117.1
- IAPMO Z124-2017
- HUD UM73a
- CAN/CSA-B651-04
- CSA-B45-11

**Code compliant when fully equipped and installed according to guidelines.

COLOR & TRIM OPTIONS

Century Stone Solid	Century Stone Natural
White	Almond
Bone	Ashley
Biscuit	Beach
	Coco
	Cotton Seed
	Dune
	Mink
	Quail
	Rabbit
	Starlight
	Violet



AQUARIUS
BATHWARE™





AQUARIUS
BATHWARE™

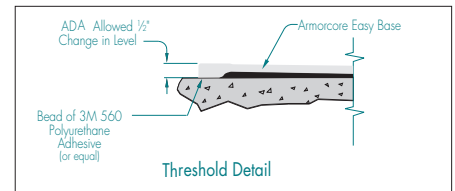
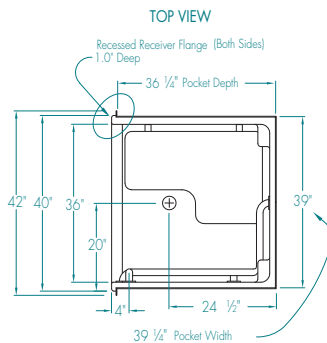
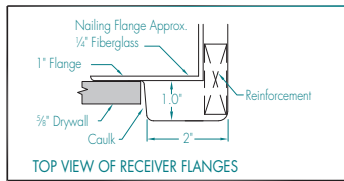
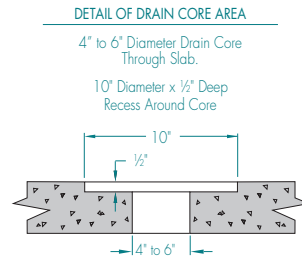
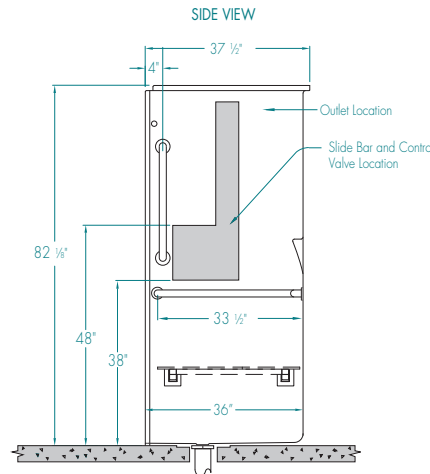
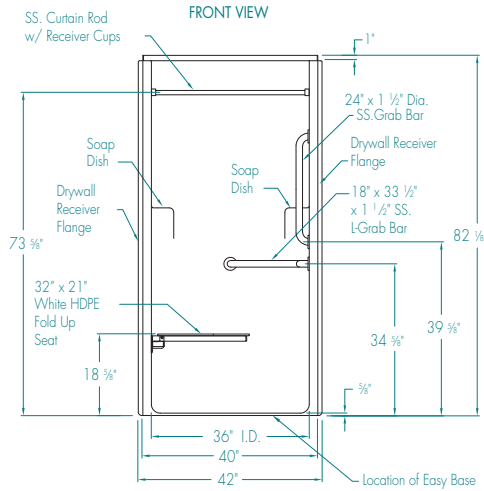
TECHNICAL SPECIFICATIONS

G 3682 BF RRF

Interior: 36 x 36 x 80 1/2
Exterior: 42 x 37 1/2 x 82 1/8 inches



ADA/ANSI compliant when fully equipped and installed according to guidelines.



NOTE: Due to the nature of the materials, dimension may vary + - 1/8".

FEATURES

Dimensional Tolerance ± 3/8". Dimensions needed for site preparation should be measured from the unit. Manufacturer assumes no responsibility for preparatory work.

Type and Model #	Material	Wall Finish	Pieces	Drain	Dam/Skirt Height	Net Wt. lbs	Pkg. Wt. lbs
Shower #G 3682 BF RRF	AcrylX™	Smooth wall	1	Center	5/8" threshold	225	N/A

DIMENSIONS

Specifications	inches
Width: Overall / Net	42 / 36
Depth: Overall / Net	37 1/2 / 36
Height: Overall / Net	82 1/8 / 80 1/2
Enclosure Opening:	36
Skirt Height:	5/8
Drain Rough-In (from Back Wall)	24 1/2
Drain Rough-In (from Side Wall)	19 5/8

FRAMING DIMENSIONS inches

Type	D Depth	W Width	H Height	A	B	C
Alcove	37 1/2	42	-	Box Out	19 5/8	24 1/2

