

XST6030TR 1.125 – COMPLIANT SHOWER

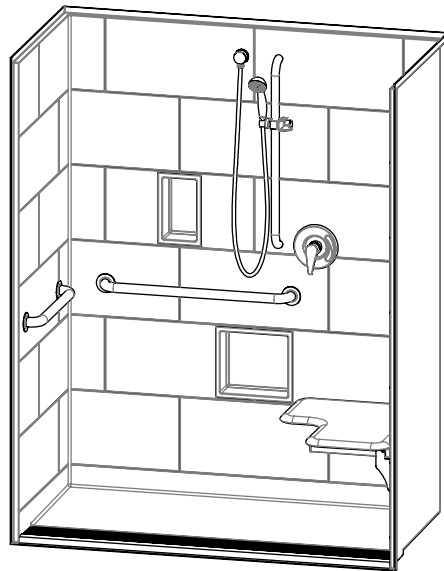
With Seat

Interior: 60 x 30 x 76 5/8

Exterior: 62 1/4 x 32 1/8 x 78 3/4

inches

The XST6030TR 1.125 roll-in shower features innovative installation design, including an engineered leveled base and improved front threshold with molded integral linear trench drain. A true time and money saver, our pre-leveled base lets you install directly on a **level** floor. And its front threshold is engineered to keep a constant level with the innovative nailing flange.



Shown fully-equipped

COLOR & TRIM OPTIONS

Stock	Upgraded
White	Biscuit Bone

**Additional custom colors available.
(Contact Customer Service)

FEATURES

- Pre-leveled base
- AcrylX™ applied acrylic surface
- 1 1/8" skirt
- Barrier free when properly installed
- Smooth subway tile wall
- Center front drain outlet
- Integral front trench drain
- 30-year warranty*

* See terms and conditions for details

OPTIONS

- Grab bars
- Fold-up seat
- Hand-held shower assembly with slide bar
- Pressure balancing mixing valve
- Large soap dish
- Small soap dish
- Curtain rod and/or shower curtain, shipped loose
- Tamper-proof grate

CODE COMPLIANCE

- ADA
- FHA
- ICC/ANSI A117.1
- HUD UM73a
- ANSI Z124.1.2
- CAN/CSA-B45-02

**Code compliant when fully equipped and installed according to guidelines.

asura
Trench Drain Collection
by Comfort Designs



XST6030TR 1.125

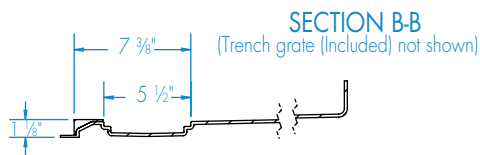
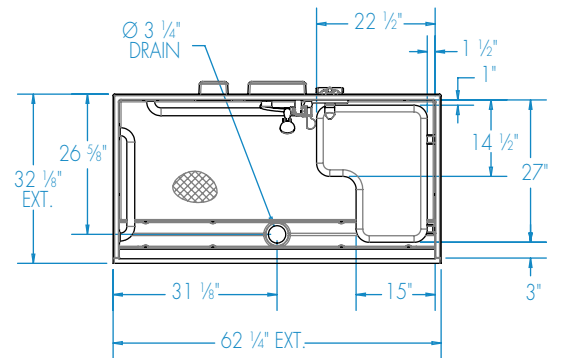
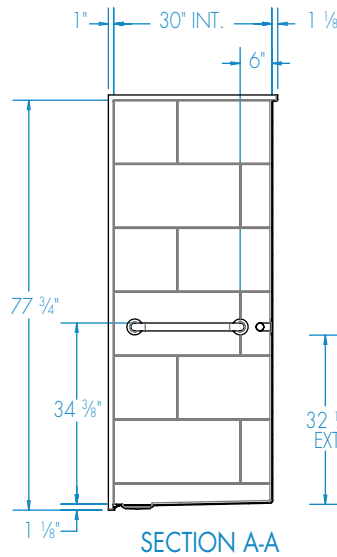
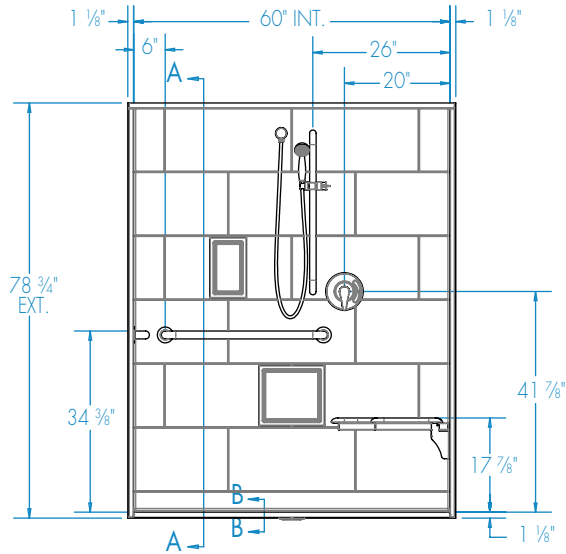
With Seat

Interior: 60 x 30 x 76 5/8
Exterior: 62 1/4 x 32 1/8 x 78 3/4

inches



ANSI compliant when fully equipped and installed according to guidelines.



FEATURES lbs Dimensional Tolerance ± 3/8". Dimensions needed for site preparation should be measured from the unit. Manufacturer assumes no responsibility for preparatory work.

Type and Model #	Material	Wall Finish	Pieces	Drain	Dam/Skirt Height	Net Wt.	Pkg. Wt.
Shower XST6030TR 1.125	AcrylX™ applied acrylic	Smooth tile	1	Center Front	1 1/8" skirt	200	210

DIMENSIONS

Specifications	inches
Width: Ext. / Int.	62 1/4 / 60
Depth: Ext. / Int.	32 1/8 / 30
Height: Ext. / Int.	78 3/4 / 76 5/8
Enclosure Opening:	60
Skirt Height:	1 1/8
Drain Rough-In (from Back Wall)	26 5/8
Drain Rough-In (from Side Wall)	31 1/8

FRAMING DIMENSIONS inches (mm)

Type	D Depth	W Width	H Height	A	B	C
Alcove	32 1/8	62 1/2	-	Box Out	31 1/8	26 5/8

