



ADA Tub Showers

ONE-PIECE DOMED ACRYLIC

AQUARIUS
BATHWARE™

S 6032 TS

OD: 60" x 33" x 84"

AFR: 2.5" Above Floor Rough

Weight: 225

Load Factor: 1.26

Handed By: Valve Wall L/R

Well Depth: 12"

Well L to R: 48"

Well Front to Back: 22.5"

Gallons to Overflow: 62

Slope of Drain: .375" per ft.

This unit complies with ANSI Z124.1, ICC/ANSI A117.1, ASTM F462, ASTM E84, UPC, HUD, ADA, ABA, SBCCI, NAHB, UFAS.

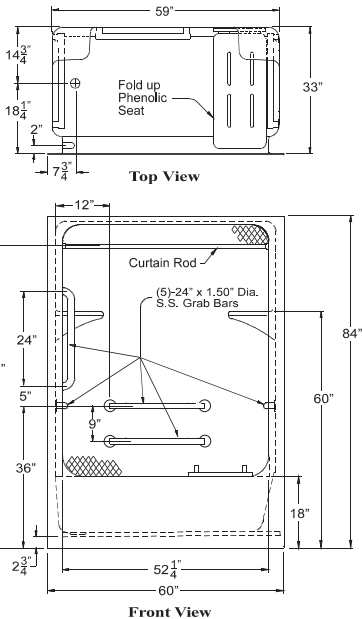
Also available as a MAS compliant unit.

Warranty: Gelcoat models have a 3 year limited warranty. Acrylic models have a 5 year limited warranty. Pumps, parts, and accessories 1 year limited warranty. For further details please refer to the complete warranty section.

Due to the nature of the materials, dimensions may vary +/- 1/2".



Photograph Illustrates Package One - Handed by Valve Wall Right



FRAMING DIMENSIONS

A	B	C	D
60 1/4"	33"	14 3/4"	18 1/4"

- Refer to pages 67 & 68 to view corresponding framing detail.
- 6" x 6" Minimum opening in floor for drain connection

PKG ONE - ADA/ANSI/TAS: S 6032 TS

- 18" Apron
- Handed by Valve Wall L/R
- Shim
- White Premium Cast Acrylic

Factory Installed Accessories (Valve not included):

- S-BAR - 24" x 1.5" Smooth SS
- S-BAR - 24" x 1.5" Smooth SS
- S-BAR - 24" x 1.5" Smooth SS
- S-BAR - 24" x 1.5" Smooth SS
- S-BAR - 24" x 1.5" Smooth SS
- 27" x 15" Woodgrain Phenolic Fold-Up Seat
- 1" OD 18 Gauge SS Grommet Style Curtain Rod

For ADA/ANSI/TAS compliance, seat at head end of tub shall be provided and permanently and securely mounted. Installed accessories must include 24" vertical grab bar on valve wall, 24" grab bar on valve wall, two 24" grab bars on back wall, 12" minimum grab bar on head wall, pressure balancing mixing valve, hand held shower with slide bar, vacuum breaker and 60" hose. Unit and accessories installed per ADA/ANSI/TAS and Praxis Installation and warranty guidelines.

BUILD TO ORDER BASE PLUS ACCESSORIES

BASE UNIT 1: S 6032 TS

- 18" Apron
- Handed by Valve Wall L/R
- Shim
- Reinforced for Standard Accessories

BASE UNIT OPTIONAL ACCESSORIES

Standard Finish - Premium Cast Acrylic:

- White
- Bone
- Biscuit

Grab Bars

- S-Bar - 24" x 1.5" Smooth SS
- S-Bar - 24" x 1.25" Smooth White CC
- S-Bar - 24" x 1.25" Peened SS
- S-Bar - 48" x 1.5" Smooth SS (Only available with Tri-fold Removable Seat)
- S-Bar - 48" x 1.25" Smooth White CC (Only available with Tri-fold Removable Seat)
- S-Bar - 48" x 1.25" Peened SS (Only available with Tri-fold Removable Seat)

Standard Seats (Attached or Removable)

- 27" x 15" Woodgrain Phenolic Fold-Up Seat (Not available with 48" S-Bar)
- 28" x 15" White Tri-Fold Removable Seat

Factory Modifications

- 1.5" Standard Rough (17" Apron)
- Whirlpool System with 3/4 Horse Power and 4 Jets
- Nurse Call Box Drilling - Specify Location
- Dome Light Drilling
- Valve Drilling - Specify Hole Size
- Wood Reinforcement for HUD
- Full Wood Reinforcement
- Install 30" Slide Bar / HS Kit
- Install SS Soap Dish - Recessed
- Install Standard Symmons Valve Package
- 5' x 1" OD 20 Gauge Chrome Curved Curtain Rod with Brackets
- 1" OD 18 Gauge SS Grommet Style Curtain Rod
- 1" OD 18 Gauge White Grommet Style Curtain Rod

Field Installed Accessories (Shipped Loose)

- Dome Light - Voltage 144 Standard
- Dome Light - Voltage 277
- Curtain - Heavy Duty 66" x 72" White Vinyl Weighted

rev. 091310



HDPE (high density polyethylene) seats used by Praxis Companies, LLC contain recycled materials.