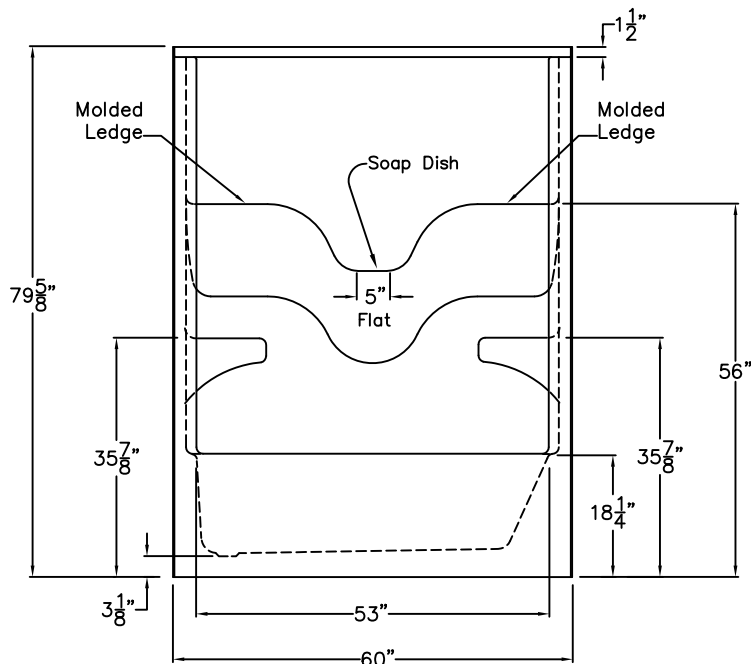


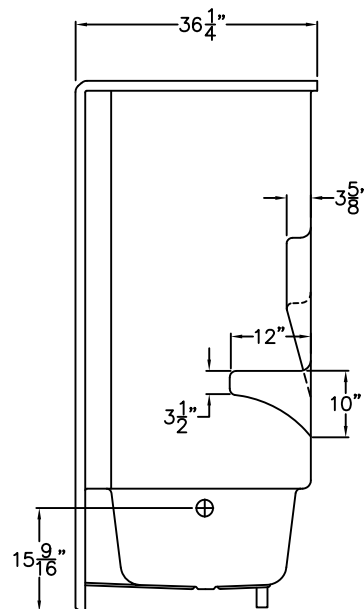
LUXURY ACRYLIC SERIES

SUBMITTAL DATA

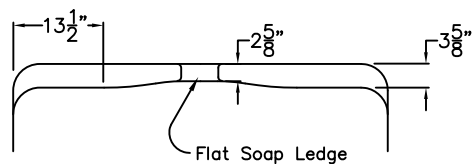
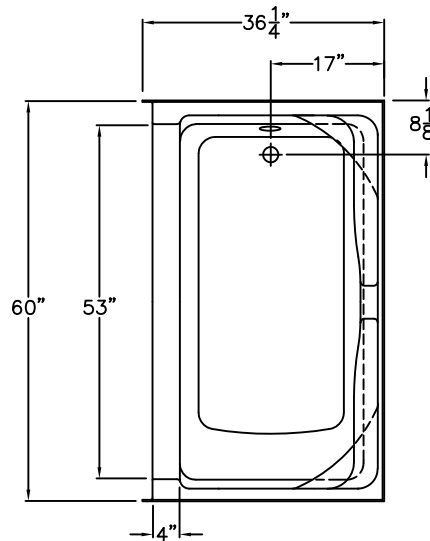
FRONT VIEW



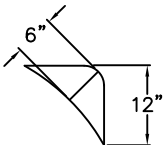
SIDE VIEW



TOP VIEW



TOP VIEW BACK WALL SOAP DISHES



TYPICAL CORNER SOAP DISHES

A 6035 TS OT ACRYLIC TUB SHOWER.
 UNIT IS CONFIGURED WITH 3 MOLDED SOAP LEDGES
 HIGH ON THE BACK WALL, 2 MOLDED CORNER SOAP
 LEDGES, AND LEFT OR RIGHT DRAIN LOCATION.

COMPLIES WITH Home Innovation Research Lab,
 IAPMO Z124-2011, CSA B45.5, UPC AND IPC.

ROUGH-IN DIMENSIONS: 60" X 36 1/4" X 79 5/8".

DUE TO THE NATURE OF THE MATERIALS
 DIMENSIONS MAY VARY ± 1/2"

Job Name:	AQUARIUS	
Model No.:	Drawing#: A6035 TS OT	
Approved by:	Date Approved:	Date: 1-16-14 Revised: 2-4-14
Rep.:	Wholesaler:	Quote No.:

PRAXIS INDUSTRIES, LLC.
 435 INDUSTRIAL ROAD, SAVANNAH, TN 38372
 1 (800) 443-7269 - FAX (731) 925-4290