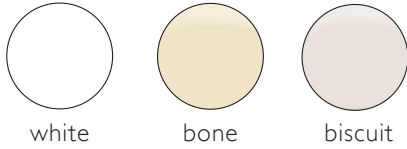


RN 6032 60" x 32" x 20"

AirBath option will add 1" to height of unit

Premium Thermal Cast Acrylic



white

bone

biscuit

Cut-Out
58" x 30"

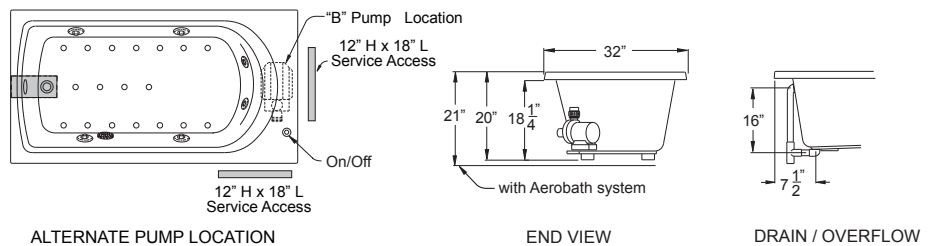
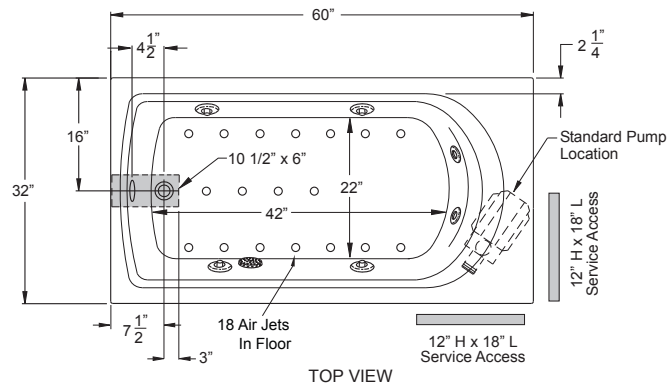
Operating Capacity
39 Gallons

Shipping Weight:
Soaker - 153 lbs
Whirlpool - 183 lbs

Hydro-Massage System
4 Premium Power-Flow Adjustable Jets
2 Lumbar Ease-Flow Adjustable Jets

Optional Features

- Skirt
Factory installed - Aventura
Field or factory installed - Deco
- Cast Acrylic Nailing Flange
Yes
- In-Line Heater
Yes



CONTRACTOR ADVANTAGE
soaker tubs | whirlpools | air tubs



soaker tub



whirlpool



airtub

