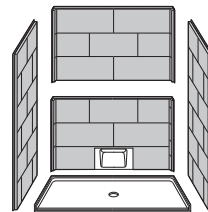
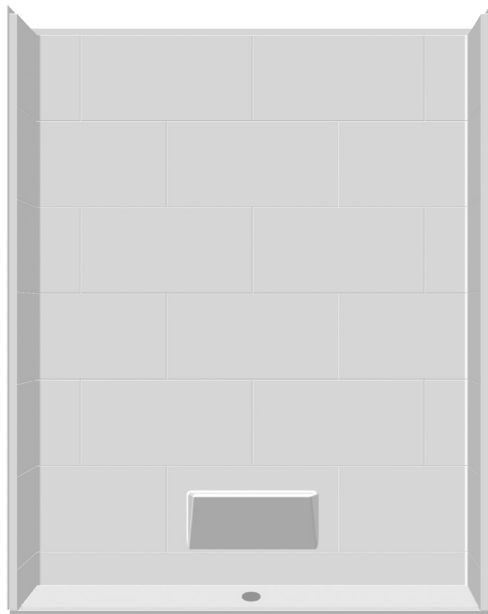


SAFE. ACCESSIBLE.
BATHING SOLUTIONS.

MyPlace™ AcrylX™ multi-piece showers

MP 6238 BF 5P .75 C



OUTER DIMENSION	62.625" x 38.25" x 79"
ENCLOSURE (up to)	60.063" x 78.25"
THRESHOLD	0.75" COL*
DRAIN	Center
HANDED	Drain
SHIPPING WEIGHT	492
LOAD FACTOR	2.4
TRUCK LOAD FACTOR	0.75



ADA
Compliant



Barrier Free
Threshold



AcrylX™
Finish

NOTES

*COL Change of level threshold has a manageable 0.25" vertical rise to easily coordinate with minimum finished flooring.

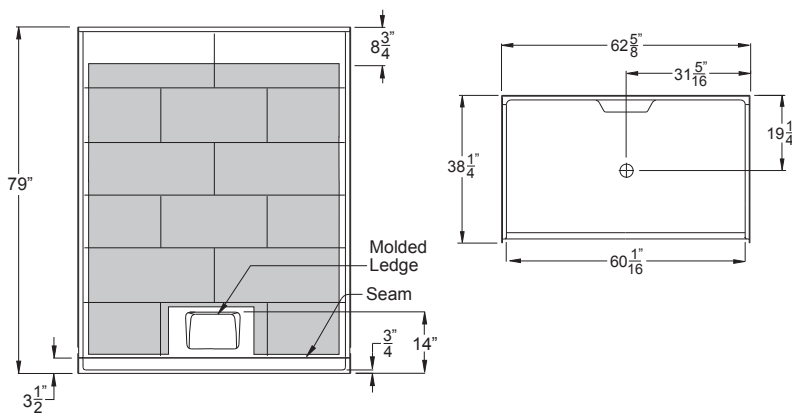
CODES code compliant with ADA, IPC, UPC, ANSI Z 124.2, NAHB, HUD, FHA, MAS and TAS.

EasyBase™ Self-supporting and pre-levelled shower base, EasyBase™, is standard on all barrier free multi-piece showers. EasyBase™ is not offered on EasyStep™ models.

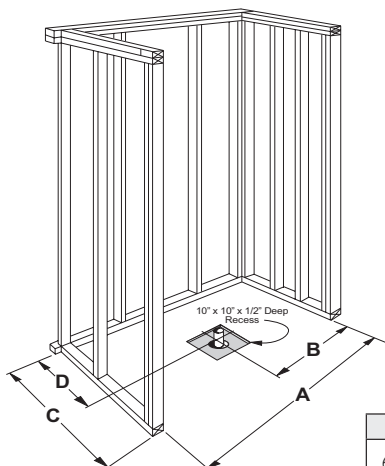
BACKING All multi-piece showers are offered standard with reinforced walls.

RAPID SHIP All multi-piece showers are in stock for rapid shipment - ships in four business days.

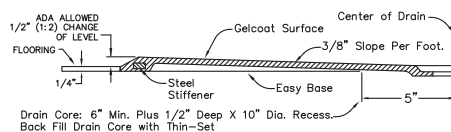
WARRANTY All multi-piece showers are offered with an unprecedented lifetime limited warranty.



gray shading represents wood backing



0.75" Barrier Free



A	B	C	D
62.875"	31.438"	38.25"	19.25"

Due to the nature of the materials, dimensions may vary +/- 0.5".

My Place
Solutions For Everyday Living

THE PRAXIS COMPANIES | praxiscompanies.com
customer service 800.443.7269