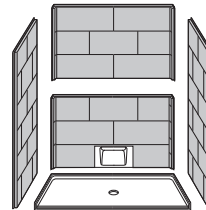
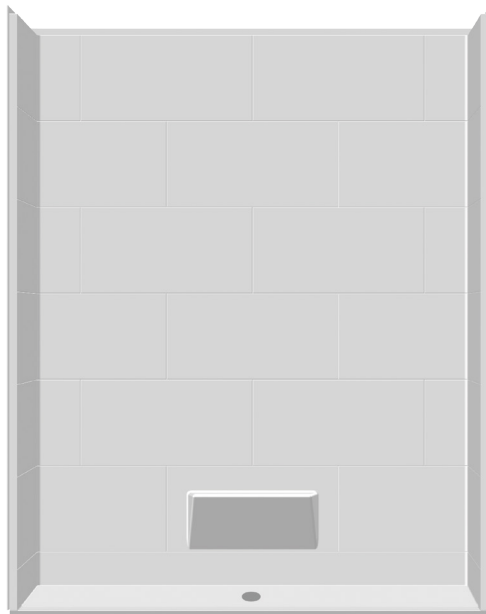


SAFE. ACCESSIBLE.  
BATHING SOLUTIONS.

MyPlace™ AcrylX™ multi-piece showers

MP 6232 BF 5P .75 C



OUTER DIMENSION	62.625" x 32.25" x 79"
ENCLOSURE (up to)	60.063" x 78.25"
THRESHOLD	0.75" COL*
DRAIN	Center
HANDED	Drain
SHIPPING WEIGHT	492
LOAD FACTOR	2.4
TRUCK LOAD FACTOR	0.75



ADA  
Compliant



Barrier Free  
Threshold



AcrylX™  
Finish

NOTES

\*COL Change of level threshold has a manageable 0.25" vertical rise to easily coordinate with minimum finished flooring.

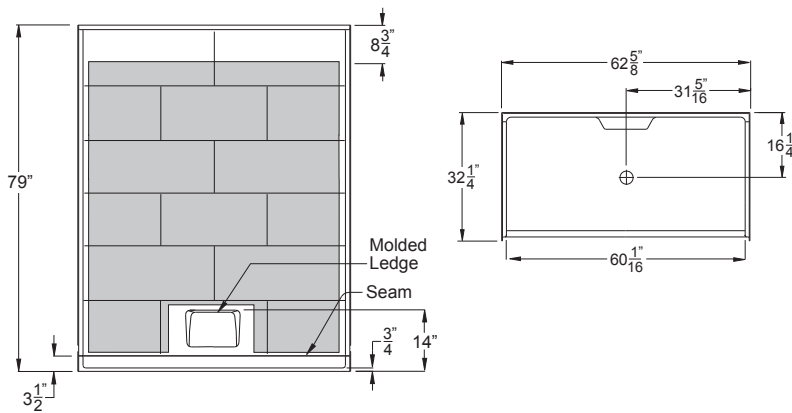
CODES code compliant with ADA, IPC, UPC, ANSI Z 124.2, NAHB, HUD, FHA, MAS and TAS.

EasyBase™ Self-supporting and pre-levelled shower base, EasyBase™, is standard on all barrier free multi-piece showers. EasyBase™ is not offered on EasyStep™ models.

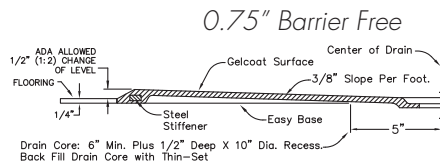
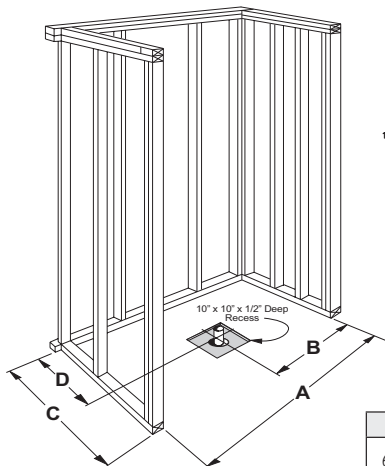
BACKING All multi-piece showers are offered standard with reinforced walls.

RAPID SHIP All multi-piece showers are in stock for rapid shipment - ships in four business days.

WARRANTY All multi-piece showers are offered with an unprecedented lifetime limited warranty.



gray shading represents wood backing



A	B	C	D
62.875"	31.438"	32.25"	16.25"

Due to the nature of the materials, dimensions may vary +/- 0.5".



THE PRAXIS COMPANIES | praxiscompanies.com  
customer service 800.443.7269