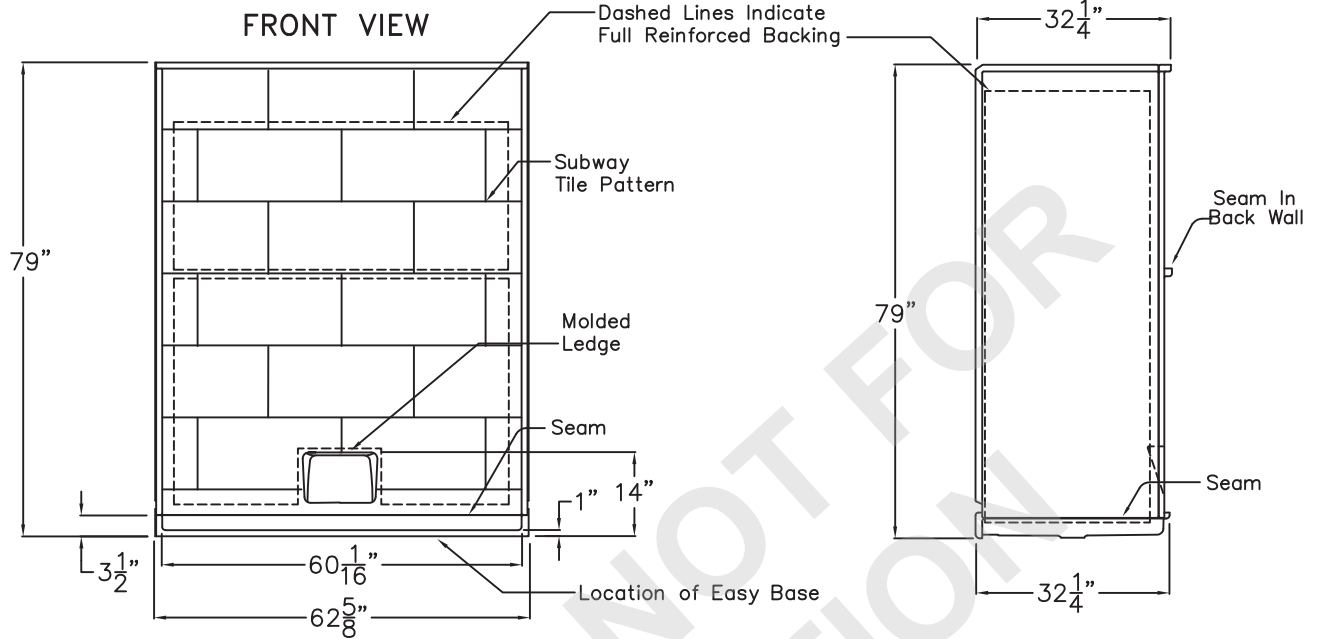


Comfort Series SUBMITTAL DATA



Roll-In 5 Piece Sectional Shower

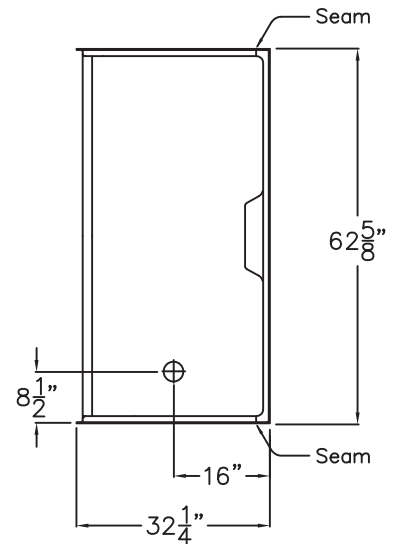
The shower enclosure shall be Praxis model MP 6232 BF 5 Piece Tile left or right drain. Finished surface shall be of an applied acrylic. The base shall be attached to the sump of the unit in such a manner to form an integral part with an inner and outer coating of polyester resin. The unit shall have outside dimensions of 62 5/8" x 32 1/4" x 79". The unit meets CSA B45.5, ANSI Z124.1.2, HUD-UM73, and complies with ADA, and ICC-ANSI A117.1 when configured with code required accessories such as grab bars, valve with hand shower and seat.

This enclosure shall be equipped with the following installed accessories:

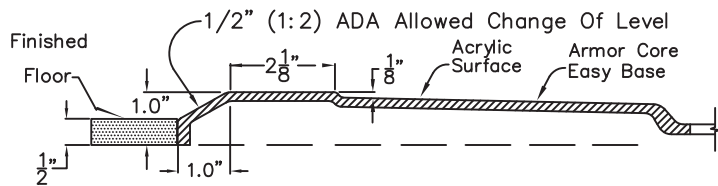
- 1) Low entry 1.0" threshold,
- 2) Subway tile finish,
- 3) Molded ledge low on the back wall,
- 4) Five piece sectional design,
- 5) Left or right hand drain,
- 6) Full reinforced backing on walls,
- 7) Armor Core Easy Base.

Available Options: 8) Code grab bars, 9) Folding seat with legs, 10) Valve package includes: Hand held shower set, swivel connector, 60" flex hose, vacuum breaker, 30" slide bar, wall water outlet fitting, 11) Curtain rod with receiver cups, 12) Green anti-bacterial shower curtain and hooks, 13) White shower curtain and hooks. 14) Nurses call box drilling.

TOP VIEW



Detail of 1.0" Threshold



DUE TO THE NATURE OF THE MATERIALS INVOLVED
UNIT DIMENSIONS MAY VARY ± 1/2 INCH

PRAXIS

Approved By Print Name:

Drawing#: MP 6232 BF 1.0 5P FWB Easy Base

Approved By Signature:

Date:

Date: 3-31-09

Revised: 7-24-19

Rep.:

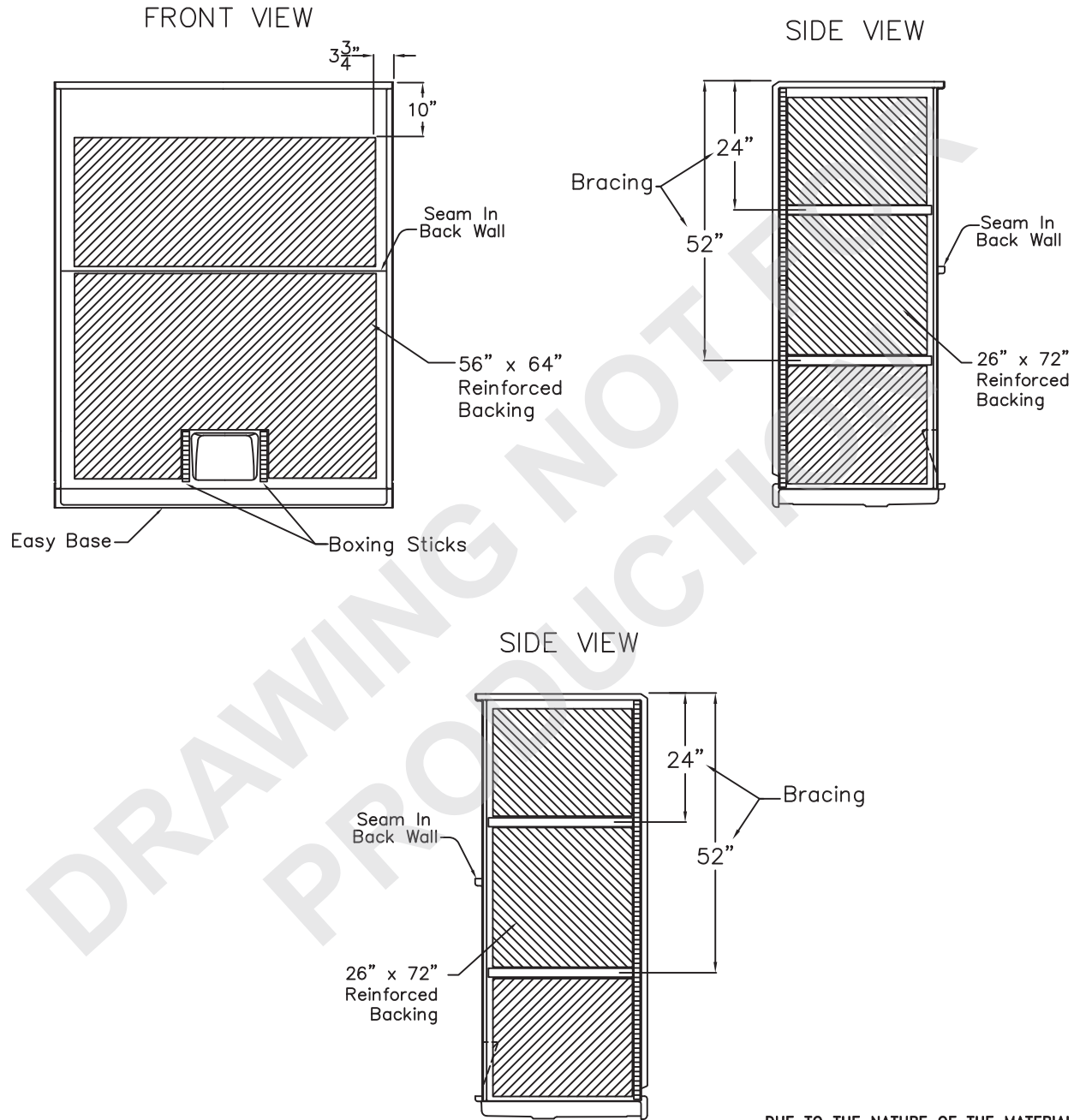
Wholesaler:

Quote No.

PRAXIS INDUSTRIES, INC.
ROUTE 1, BOX 46D - SAVANNAH, TN 38372
1 (800) 443-7269 - FAX (901) 925-4290

Backing Placement Drawing

SUBMITTAL DATA



DUE TO THE NATURE OF THE MATERIALS INVOLVED
UNIT DIMENSIONS MAY VARY $\pm 1/2$ INCH

Job Name:	PRAXIS	
Approved by Print Name:	Drawing#: MP 6232 BF 1.0 5P FWB Easy Base-BP	
Approved by Signature:	Date:	Date: 3-31-09 Revised: 7-24-19
Rep.:	Wholesaler:	Quote No.:

PRAXIS INDUSTRIES, INC.
ROUTE 1, BOX 46D - SAVANNAH, TN 38372
1 (800) 443-7269 - FAX (901) 925-4290