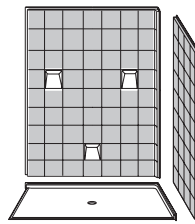


SAFE. ACCESSIBLE.
BATHING SOLUTIONS.

MyPlace™ AcrylX™ multi-piece showers

MP 6060 BF DE 3P I.25 C



OUTER DIMENSION	61" x 61" x 78"
ENCLOSURE (up to)	57.75" x 57.75" x 72.5"
THRESHOLD	1.25" COL*
DRAIN	Center
HANDED	Drain
SHIPPING WEIGHT	442
LOAD FACTOR	2.4
TRUCK LOAD FACTOR	2.4



Barrier Free
Threshold



AcrylX™
Finish

NOTES

*COL Change of level threshold has a manageable 0.25" vertical rise to easily coordinate with minimum finished flooring.

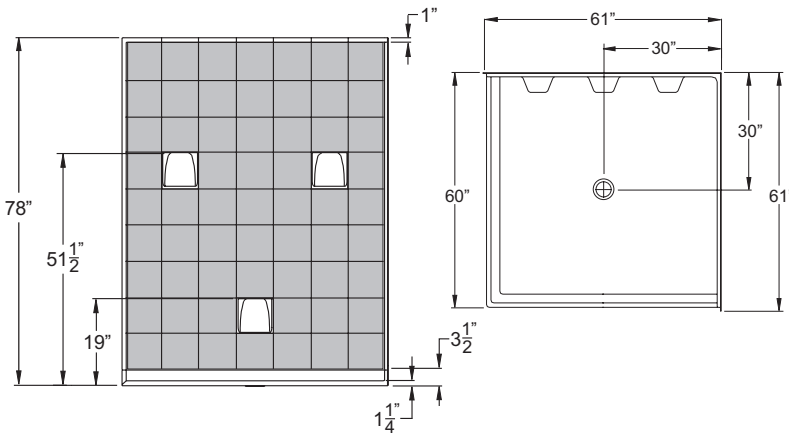
CODES IPC, UPC, ANSI Z 124.2 NAHB, HUD and FHA.

EasyBase™ Self-supporting and pre-levelled shower base, EasyBase™, is standard on all barrier free multi-piece showers. EasyBase™ is not offered on EasyStep™ models.

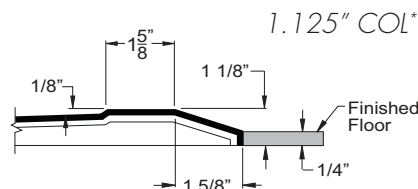
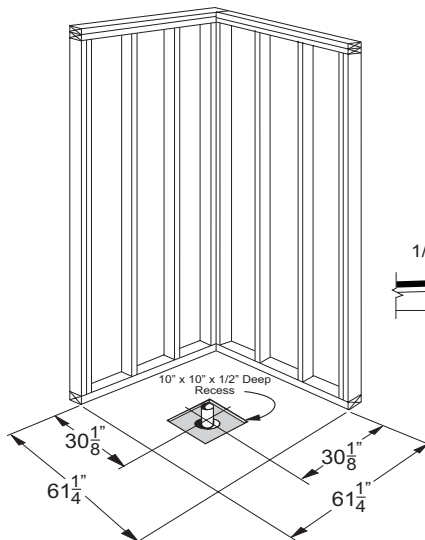
BACKING All multi-piece showers are offered standard with reinforced walls.

RAPID SHIP All multi-piece showers are in stock for rapid shipment - ships in four business days.

WARRANTY All multi-piece showers are offered with an unprecedented lifetime limited warranty.



gray shading represents wood backing



Due to the nature of the materials, dimensions may vary +/- 0.5".



THE PRAXIS COMPANIES | praxiscompanies.com
customer service 800.443.7269