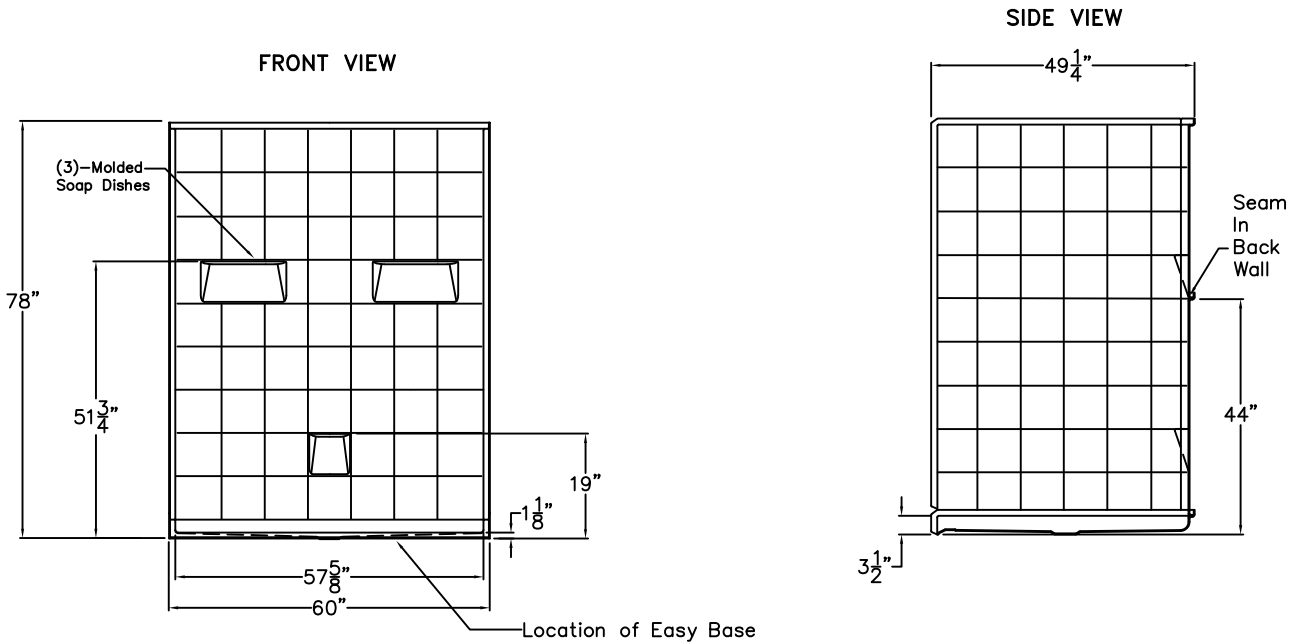


Comfort Series

SUBMITTAL DATA



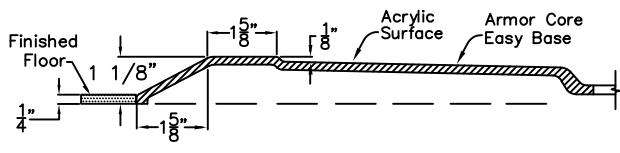
Sectional Shower

This shower enclosure shall be Aquarius model MP 6048 BF 5P 1.125 center drain location. Finished surface shall be of sanitary-grade applied acrylic. The unit shall have outside dimensions of 60" x 49 1/4" x 78". The unit shall meet IAPMO Z124-2011, and CSA B45.5-11.

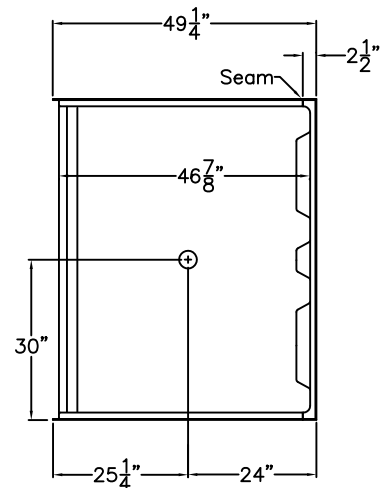
The enclosure shall be equipped with the following factory installed accessories:

- 1) Molded soap ledges,
- 2) Molded lower ledge on back wall,
- 3) Tile finish,
- 4) Five piece sectional design,
- 5) Full reinforced backing on all walls,
- 6) Armor Core Easy Base,
- 7) Center drain location,
- 8) 1 1/8" threshold.

Detail of 1.125" Threshold



TOP VIEW



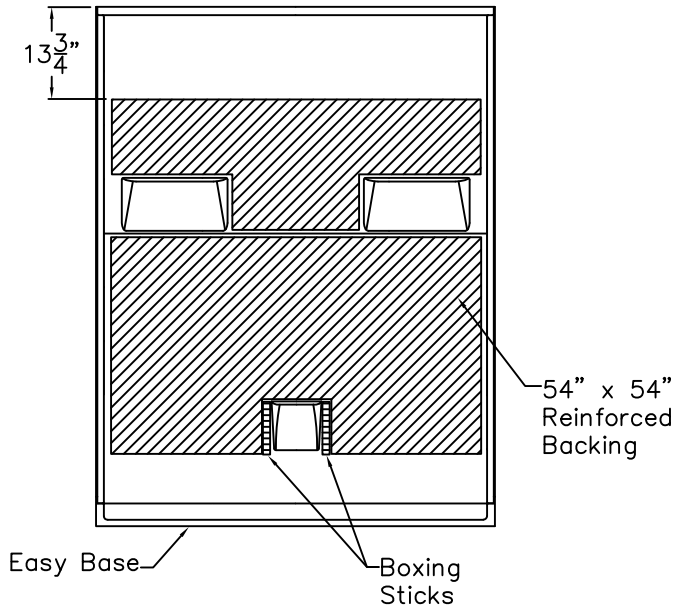
DUE TO THE NATURE OF THE MATERIALS INVOLVED
UNIT DIMENSIONS MAY VARY ± 1/2 INCH

Job Name:	AQUARIUS		
Approved By Print Name:	Drawing#: MP 6048 BF 5P 1.125 FWB Easy Base		
Approved By Signature:	Date:	Date: 8-31-10	Revised: 2-27-20
Rep.:	Wholesaler:	Quote No.	

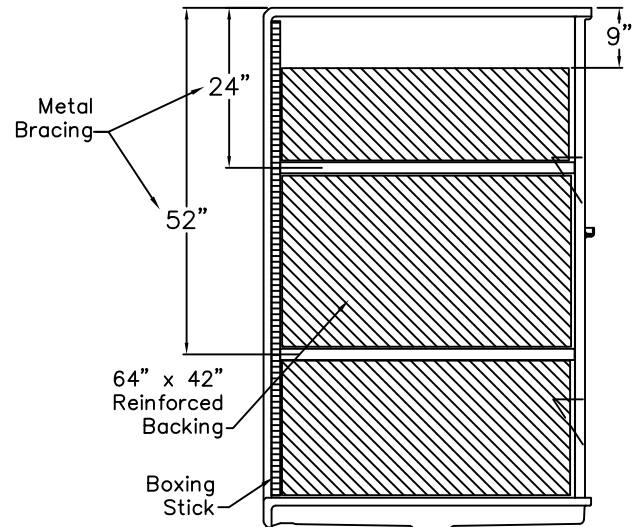
Backing Placement Drawing

SUBMITTAL DATA

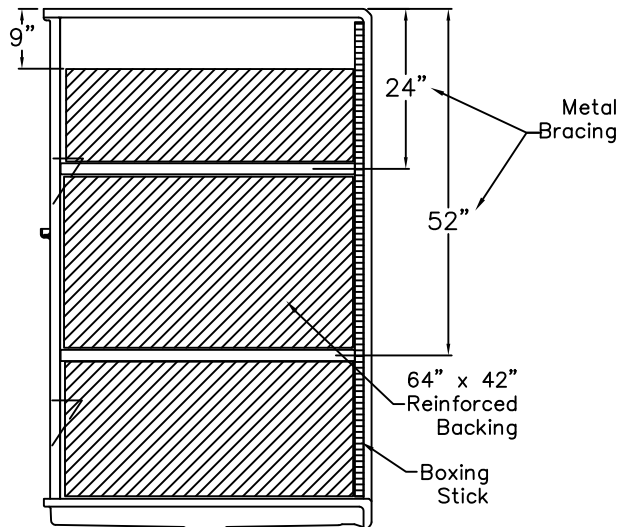
FRONT VIEW



SIDE VIEW



SIDE VIEW



DUE TO THE NATURE OF THE MATERIALS INVOLVED
UNIT DIMENSIONS MAY VARY ± 1/2 INCH

Job Name:	AQUARIUS		
Approved by Print Name:	Drawing#: MP 6048 BF 5P 1.125 FWB Easy Base-BP		
Approved by Signature:	Date:	Date: 12-21-09	Revised: 2-27-20
Rep.:	Wholesaler:	Quote No.:	

PRAXIS INDUSTRIES, INC.
ROUTE 1, BOX 46D - SAVANNAH, TN 38372
1 (800) 443-7269 - FAX (901) 925-4290